
FLEXZILLA®

Operating, Service and
Warranty Manual

ELECTRIC OPERATED, OIL-FREE PORTABLE AIR COMPRESSORS

Flexzilla® designs and manufactures products for safe operation. However, operators and maintenance persons are responsible for maintaining safety. All safety precautions are included to provide a guideline for minimizing the possibility of accidents and property damage while equipment is in operation. Keep these instructions for reference.



Contents

1. Important Safety Notes - Please read	3-4	5. Troubleshooting	7
2. Set Up Instructions	5	6. Exploded Diagrams	8-10
2.1 Initial Set Up	5	CF10050F	8
2.2 Location	5	CB20100F / CB20200F	9
2.3 Electrical	5	7. Pre-Operation Checklist	10
3. Operation	5-6	8. Location of Product Labels	11
3.1 Test Run	5	9. Warranty	12
3.2 Daily Operation	5-6		
4. Maintenance	6		
4.1 Cleaning	6		
4.2 Cleaning or Changing the Air Filter	6		
4.3 Draining the Air Tank	6		
4.4 Pressure Switch	6		
4.5 Testing for Leaks	6		

1. IMPORTANT SAFETY NOTES

Safety Messages & Signal Words:

⚠ DANGER

Danger indicates an immediate hazardous situation which, if not avoided, will result in death or serious injury.

⚠ WARNING

Warning indicates a potentially hazardous situation which, if not avoided, could result in death or serious injury.

⚠ CAUTION

Caution indicates a potentially hazardous situation which, if not avoided, may result in minor or moderate injury.

NOTICE

Indicates a situation which, if not avoided, may result in damage to product components or other property.

⚠ WARNING

This manual contains important instructions for operating this product. For your safety, and the safety of others, be sure to read this manual thoroughly before operating the product.

Failure to properly follow all the instructions and precautions can cause you and others to be seriously hurt or killed.

⚠ WARNING



EXPLOSION



FIRE

Use caution to minimize risk of fire or explosion.

It is normal for the air compressor motor and pressure switch to produce sparks while operating. If sparks come in contact with vapors from gasoline or solvents, they may ignite and cause a fire or explosion.

Abrasive tools such as grinders, drills and other tools can make sparks that can ignite flammable materials.

Always operate the air compressor a safe distance away from flammable items. Use in well-ventilated areas.

Never exceed the maximum rated pressure.

⚠ DANGER

There is a danger of electric shock.

Use only undamaged electrical cords.

DO NOT touch bare wires or receptacles.

DO NOT operate air compressor in wet weather or in wet conditions.

DO NOT touch air compressor or cords if hands or feet are wet. Ensure that all cords are free of damage before connecting to the power supply.

Ensure that you have a sufficient electrical supply for supporting the requirements of the motor.

Improper installation of the grounding plug can result in a risk of electric shock. When repair or replacement of the cord or plug is required, do not connect the grounding wire to either flat terminal. The wire with insulation having an outer surface that is green with or without yellow stripes is the grounding wire.

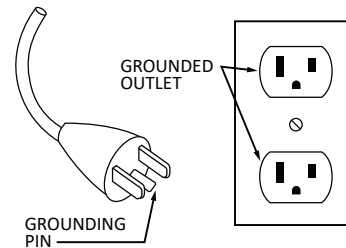
This product must be grounded. In the event of an electrical short circuit, grounding reduces the risk of electrical shock by providing an escape wire for the electric current.

This product is equipped with a cord having grounding wire and appropriate grounding plug. The plug must be plugged into an outlet that is properly installed and grounded in accordance with the local codes and ordinances.

This product is for use on a nominal 120V circuit and has a grounding plug similar to the plug illustrated in sketch A (below). Only connect the product to an outlet having the same configuration as the plug.

Do not use an adapter with this product.

(SKETCH A)



⚠ CAUTION

Use caution when using extension cords.

Use 3-wire extension cord which is no more than 25' (7,6 m) long, at least 14 gauge, and has a 3-blade grounding plug.

Using an excessively long or thin-wired extension cord will cause severe damage to the motor.

An undersized cord results in a drop in the line voltage and loss of power and overheating.

When in doubt, use a heavier gauge. The smaller the AWG rating, the more current the cord can carry.

STORE COMPRESSOR INDOORS

⚠️ WARNING



RISK TO BREATHING

Dust or dust-like particulates caused by power-sanding, sawing, grinding, drilling or any other construction-like activities can contain contaminants that are harmful to breathe.

Always use your air compressor in a well-ventilated and clean area.

Never breathe the air that comes directly out of the air compressor or air hose. This air is not suitable for breathing.

Always wear approved safety equipment. When performing dust-creating activities, securely wear properly-fit face masks or respirators.

If you feel ill from breathing while operating your air compressor, stop and seek medical attention immediately.

⚠️ WARNING



FLYING OBJECTS

Flying objects can cause injury to the eyes, head and other parts of the body.

Air-powered equipment and power tools are capable of propelling items (metal chips, fasteners and particulates) at high speed into the air and could result in injury.

Always wear approved head and eye protection.

Never point the air stream at any part of your body, or at another person or animal.

When operating the air compressor, make sure all other people and animals maintain a safe distance.

Do not move the air compressor when the air tank is under pressure.

Never use the air hoses to pull or move the air compressor.

Keep the air compressor on a flat surface.

⚠️ DANGER



RISK OF CUTTING

Moving parts can cause severe trauma.

Keep hands and feet away from rotating parts, tie up long hair, remove jewelry, and DO NOT wear loose clothing.

⚠️ WARNING



BURSTING

Use caution to minimize risk of fire or explosion.

Improper care could lead to the air tank bursting or exploding. Drain air tank daily or after each use to prevent moisture buildup in the air tank.

Rust can weaken the air tank and cause leaks or bursting. If rust is detected, replace tank immediately. Do not try to repair air tank by welding, drilling or modifying it in any other way. These modifications can weaken the air tank and cause a hazardous condition.

If air tank develops a leak, replace air tank immediately. Never repair, weld or make modifications to air tank or its attachments.

Never make adjustments to the factory-set pressures.

Never exceed manufacturer's maximum-allowable pressure rating attachments.

Because of extreme heat, do not use plastic pipe or lead tin solder joints for a discharge line.

2. SET UP INSTRUCTIONS

2.1 Initial Set Up

- 1.) Read safety warnings before setting up air compressor.

2.2 Location

- 1.) In order to avoid damaging the air compressor, do not incline the air compressor transversely or longitudinally more than 10°.
- 2.) Place air compressor at least 2 feet away from obstacles that may prevent proper ventilation. Do not place air compressor in an area:
 - a. Where there is evidence of oil or gas leaks.
 - b. Where flammable gas vapors or materials may be present.
 - c. Where air temperatures fall below 32°F or exceed 104°F.
 - d. Where extremely dirty air or water could be drawn into the air compressor.

2.3 Electrical

- 1.) **USE OF AN EXTENSION CORD IS NOT RECOMMENDED** because it could cause the compressor motor to overheat. It's preferable to use additional air hose instead of an extension cord.
- 2.) If use of an extension cord is unavoidable, be sure to use one heavy enough to carry the current your compressor will draw. Minimum cord sizes are as follows:

Ampere Rating Range	Voltage	Length of cord in ft.					
	120V	25 ft.	50 ft.	100 ft.	150 ft.	200 ft.	250 ft.
	240V	50 ft.	100 ft.	200 ft.	300 ft.	400 ft.	500 ft.
8 - 10	18	14	12	10	8	8	
10 - 12	16	14	10	8	8	6	
12 - 14	16	12	10	8	6	6	
14 - 16	16	12	10	8	6	6	
16 - 18	14	12	8	8	6	4	
18 - 20	14	12	8	6	6	4	

- 3.) Use only a 3-wire extension cord that has a 3-blade grounding plug and a 3-slot receptacle that will accept the plug of the compressor.
- 4.) Examine cords before using. Do not use the compressor if its cord is damaged. Do not use a damaged extension cord.
- 5.) Keep cords away from heat and sharp edges. Do not pull on a cord to disconnect a plug – grasp the plug.
- 6.) Always shut off the compressor pressure switch before unplugging the compressor.

3. OPERATION

3.1 Test Run

Before using the air compressor for the first time complete a test run as follows:

- 1.) Turn the power switch to the OFF position. Plug the power supply cord into a power supply socket. Start the air compressor by turning the power switch to the ON position. The pressure gauge reading will slowly rise as pressure increases inside the air tank. When the gauge reading reaches 120 PSI – 125 PSI, the pressure switch will automatically turn the power off. This indicates the compressor is working normally.
- 2.) Turn the power switch to the OFF position, unplug the power supply cord and release the air in the tank by pulling on the safety valve. At this point proceed to the next step.

Note: If the air compressor is not working properly, the pressure gauge will indicate that there is a decrease in pressure in the air tank. If there is an air leak from the compressor the pressure in the air tank decreases, the pressure switch resets and the motor automatically turns back on.

If you detect an air leakage, turn the power switch to the OFF position, release the air from the tank by pulling on the safety valve. Unplug the power supply cord and contact Customer Support for assistance.

3.2 Daily Operation

Starting the compressor:

- 1.) Turn the power switch to the OFF position.
- 2.) Attach air hose to the 1/4" Universal/Industrial Quick Connector.
- 3.) Check that all air fittings are tight and close manual drain valve.
- 4.) Maintain 2 feet of open space around the air compressor.
- 5.) Plug the power supply cord into a 110V 20 amp outlet/breaker.
- 6.) Turn the power switch to the ON position.
- 7.) Let the motor run and tank fill until motor turns off.
- 8.) To regulate air flow. While the air compressor is running, turn on your tool and turn the regulator knob to the right increasing the pressure. Turn the pressure up until the desired pressure is reached.
- 9.) Operate air tool normally. Do not use continuously (running) for more than (8-12) hours.

Shutting down the compressor:

- 1.) Turn the power switch to the OFF position.
- 2.) Disconnect the power cord from the power supply and wrap the power cord around the air compressor handle to reduce the risk of damage.
- 3.) Release all the pressure and moisture from the air tank by manually opening the drain valve.
- 4.) Clean the air compressor to remove all dirt and dust.

Before storing for a prolonged period of time:

- 5.) Cover the air compressor to protect the unit from dust and moisture.
- 6.) Do not stack or store any items on top of or around the air compressor. Damage could occur.

4. MAINTENANCE

4.1 Cleaning

Clean items with a soft brush, or wipe with a moistened cloth using a biodegradable solvent.

Do not use flammable liquids such as gasoline or alcohol. Always keep parts clean from dirt and dust for better performance.

4.2 Cleaning or Changing the Air Filter

The air filter is designed to reduce noise and help prevent particulates in the air from entering and damaging the air compressor.

After being used for a period of time, the air filter will become clogged. This will reduce the air intake capabilities of the air compressor, reducing performance. Therefore, the air filter must be cleaned or replaced regularly.

- 1.) Open the lid on the air filter, then remove the air filter element.
- 2.) To clean the element, blow off or brush off the dirt and dust.
- 3.) If clogged, replace with a new air filter.

4.3 Draining the Air Tank

The frequency at which you should drain the air tank depends on the environmental conditions and the amount of operation time logged. The average draining frequency is every 1 to 2 days.

- 1.) Place the air compressor above a container capable of holding water.
- 2.) With compressed air in the air tank, slowly turn the drain valve knob to the forward (open) or straight position. The water in the air tank will drain out.
- 3.) After all of the accumulated water has drained out, turn the drain valve knob to the closed or left position in order to avoid leakage.

- 4.) Draining the air tank protects parts from rust and corrosion.

4.4 Pressure Switch

The pressure switch is factory pre-set to shut off at between 120-125 PSI and restart at between 90-95 PSI.

4.5 Testing for Leaks

Make sure all connections are tight. Do not overtighten.

A small leak in any hose or pipe connection will reduce the air compressor's performance.

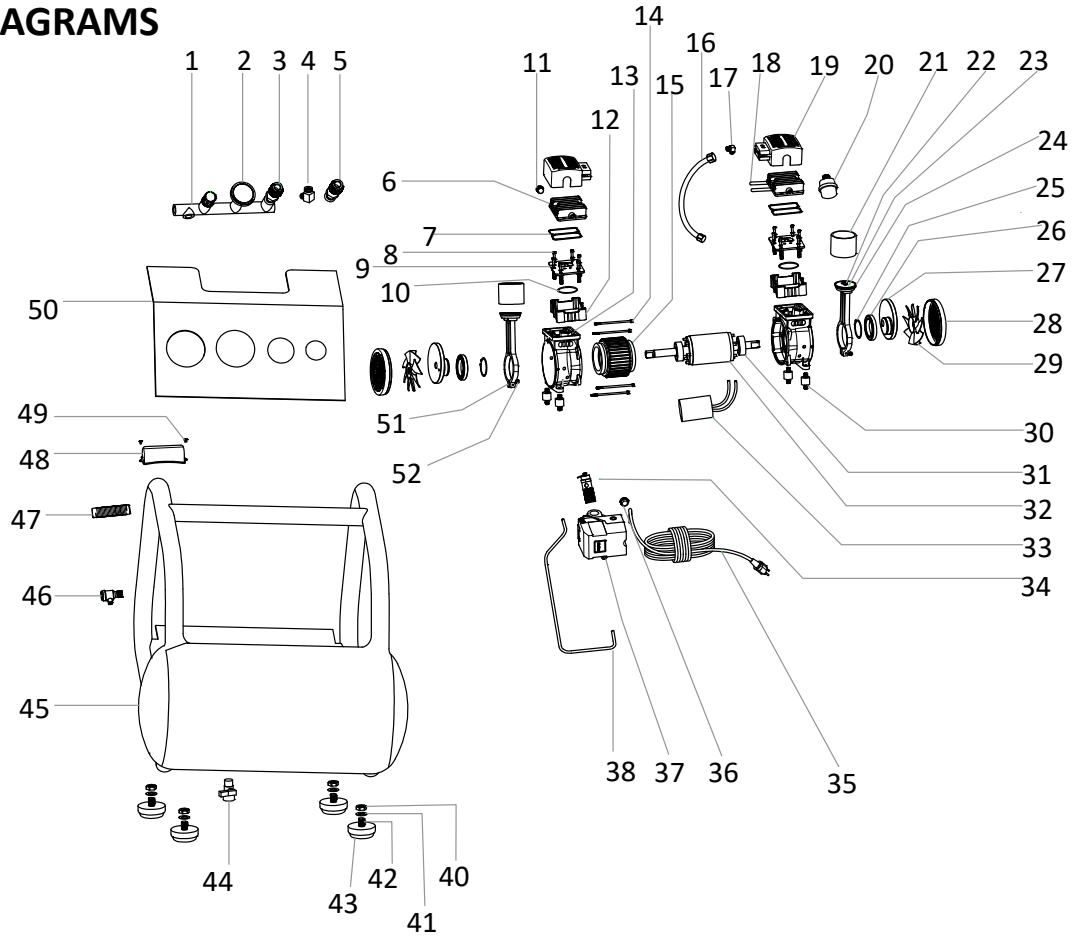
To test for small leaks, spray a small amount of soapy water on the area suspected of leaking. If the soap bubbles, replace the broken part.

5. TROUBLESHOOTING

Problem	Possible Cause	Repair
Pressure drop in the tank.	Air leaks at connections.	Let the compressor build pressure in the tank, to the maximum pressure if possible. Brush soapy water on air connections and look carefully for air bubbles. Tighten leaky connections. If the problem persists, contact Customer Support for further advice.
The unloader valve leaks when the compressor is idle.	Unloader valve seal is defective.	Let the air in the air tank flow out until all the pressure is released. Then remove the unloader valve plug and clean the valve seal. If necessary, replace the seal and then reinstall all components.
The compressor stopped and does not start.	The thermal protection turned on because the motor is overheating.	Check that the main voltage corresponds to the air compressor specifications. An extension cord that is too thin or too long can cause a voltage drop and cause the motor to overheat. Excessive use (over 1 hour continuous use) can cause the motor to overheat. Allow the motor to cool down.
	Motor windings are burned out.	Contact Customer Support.
The motor does not start and makes a humming noise.	Capacitor is burned out.	Contact Customer Support.
The motor does not start or starts slowly.	Low voltage supply to the motor.	Check that the main voltage corresponds to the air compressor specifications. An extension cord that is too thin or too long can cause a voltage drop. Use heavy duty extension cords. Ensure that the air compressor is plugged into a fully functional power outlet.
The compressor is noisy with metallic clangs.	Compressor head gasket or reed valve is damaged.	Stop the compressor and contact Customer Support.
The compressor does not reach the maximum pressure.	Compressor head gasket or reed valve is damaged.	Stop the compressor and contact Customer Support.
The compressor doesn't seem to provide as much air as it did when new and/or the compressor cuts off within a much shorter time period.	The pressure switch needs adjusting.	Stop the compressor and contact Customer Support.
	The tank is full of water due to condensation.	Open the drain valve and release the water from the tank.
The motor pump unit does not stop when the tank pressure reaches its maximum working pressure.	Pressure switch is defective or needs adjusting.	Stop the compressor immediately and contact Customer Support.

6. EXPLODED DIAGRAMS

CF10050F

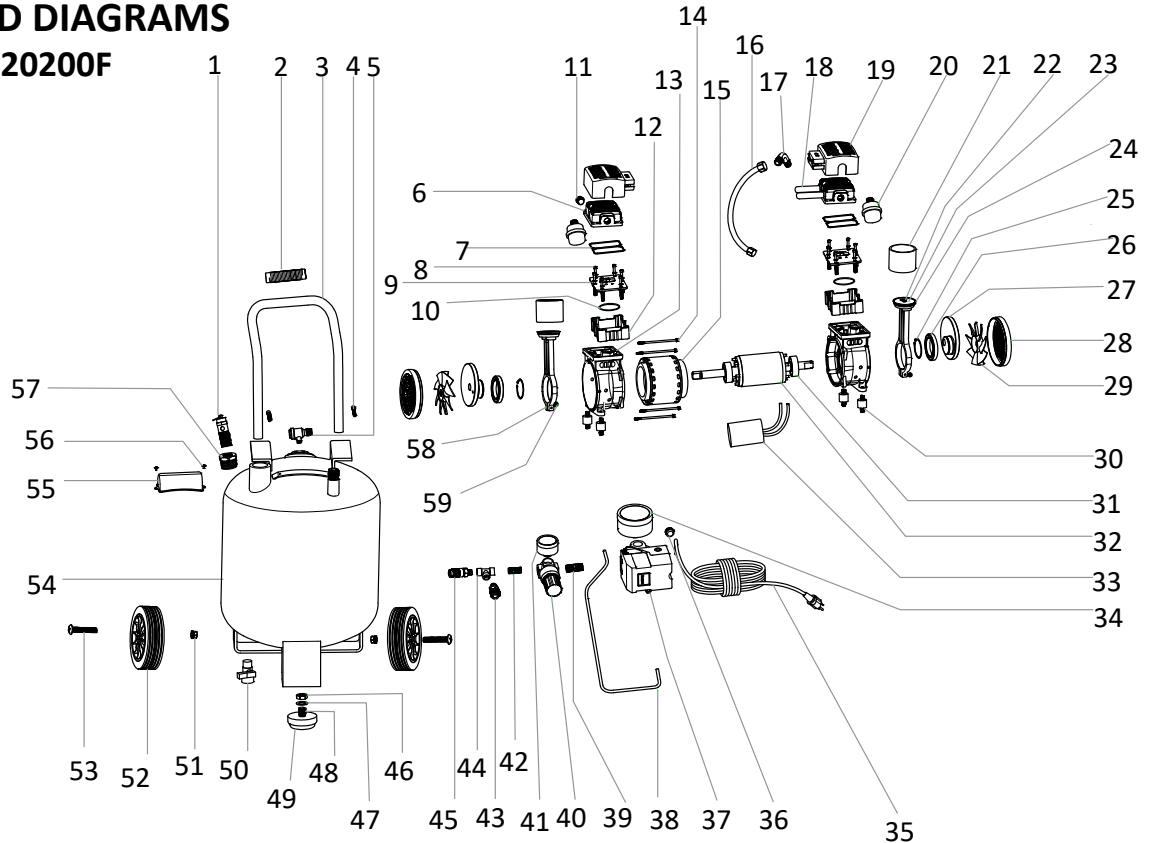


#	PART NO./KIT CODE	DESCRIPTION	QTY.	#	PART NO./KIT CODE	DESCRIPTION	QTY.	#	PART NO./KIT CODE	DESCRIPTION	QTY.
1	RP000500	REGULATOR SUPPORT	1	19	RP000507 or A	CYLINDER HEAD COVER	2	37	RP000512	PRESSURE SWITCH	1
2	RP000501	REGULATOR PRESSURE GAUGE	1	20	RP000508 or A	AIR FILTER	2	38	RP000513	RELEASE TUBE	1
3	A77425	QUICK COUPLER	1	21	A or B	CYLINDER	2	39	RP000514	AIR DELIVERY TUBE	1
4	RP000502	ELBOW	1	22	A or B	SCREW	2	40	D	NUT	4
5	A77425	QUICK COUPLER	1	23	A	PRESS PAD	2	41	D	SPRING	4
6	RP000503 or A	CYLINDER HEAD	2	24	A or B	TEFLON PISTON CUP	2	42	D	SCREW	4
7	A or B	RUBBER SEAL	2	25	A	CIRCLIP	2	43	D	RUBBER FOOT	4
8	A or B	SCREW	8	26	A	BEARING	2	44	RP000515	WATER DRAIN	1
9	A or B	VALVE PLATE	2	27	A	CRANKSHAFT	2	45	RP000516	TANK	1
10	A or B	RUBBER SEAL	2	28	A or C	FAN	2	46	RP000517	CHECK VALVE	1
11	A	PLUG	1	29	A or C	FAN COVER	2	47	RP000518	RUBBER GRIP	1
12	A	CYLINDER SUPPORT	2	30	RP000509	INSULATOR	4	48	E	CAPACITOR COVER	1
13	A	CRANKCASE	2	31	A	BEARING	2	49	E	SCREW	1
14	A	SCREW	4	32	A	ROTOR	1	50	RP000519	PANEL	1
15	A	STATOR & WINDING	1	33	RP000510	CAPACITOR	1	51	A	CONNECTING ROD	2
16	RP000504	AIR DELIVERY TUBE	1	34	RP000511	SAFETY VALVE	1	52	A	SCREW	4
17	RP000505	ELBOW	1	35	F	POWER CORD	1				
18	RP000506 or A	CYLINDER HEAD CONNECTION	2	36	F	CABLE LOCK	1				

KIT CODE	PART NO.	DESCRIPTION
A	RP000540	Flexzilla™ Portable Air Compressors Replacement Pump and Motor for CF10050F
B	RP000541	Flexzilla™ Portable Air Compressors Pump Repair Kit for CF10050F
C	RP000542	Flexzilla™ Portable Air Compressors Replacement Fan and Cover for CF10050F
D	RP000545	Flexzilla™ Portable Air Compressors Replacement Foot Kit for CF10050F
E	RP000543	Flexzilla™ Portable Air Compressors Replacement Capacitor Cover for CF10050F
F	RP000544	Flexzilla™ Portable Air Compressors Replacement Power Cord for CF10050F

6. EXPLODED DIAGRAMS

CB20100F/CB20200F



#	PART NO./KIT CODE	DESCRIPTION	QTY.	#	PART NO./KIT CODE	DESCRIPTION	QTY.	#	PART NO./KIT CODE	DESCRIPTION	QTY.
1	RP000600	SAFETY VALVE	1	21	A or B	CYLINDER	2	41	RP000618	REGULATOR PRESSURE GAUGE	1
2	RP000601	RUBBER GRIP	1	22	A or B	SCREW	2	42	RP000619	CONNECTOR	1
3	RP000602	HANDLE	1	23	A	PRESS PAD	2	43	A77425	QUICK COUPLER	1
4	RP000603	SCREW	2	24	A or B	TEFLON PISTON CUP	2	44	RP000620	THREE WAY ELBOW	1
5	RP000604	CHECK VALVE	1	25	A	CIRCLIP	2	45	A77425	QUICK COUPLER	1
6	RP000605 or A	CYLINDER HEAD	2	26	A	BEARING	2	46	D	NUT	2
7	A or B	RUBBER SEAL	2	27	A	CRANKSHAFT	2	47	D	SPRING	2
8	A or B	SCREW	8	28	A or C	FAN	2	48	D	SCREW	2
9	A or B	VALVE PLATE	2	29	A or C	FAN COVER	2	49	D	RUBBER FOOT	2
10	A or B	RUBBER SEAL	2	30	RP000611	INSULATOR	4	50	RP000621	DRAIN VALVE	1
11	A	PLUG	1	31	A	BEARING	2	51	E	NUT	2
12	A	CYLINDER SUPPORT	2	32	A	ROTOR	1	52	E	WHEEL	2
13	A	CRANKCASE	2	33	RP000612	CAPACITOR	1	53	E	SCREW	2
14	A	SCREW	4	34	RP000613	TANK PRESSURE GAUGE	1	54	RP000625	10 GAL TANK (CB20100F)	1
15	A	STATOR & WINDING	1	35	G	POWER CORD	1	54	RP000626	20 GAL TANK (CB20200F)	1
16	RP000606	AIR DELIVERY TUBE	1	36	G	CABLE LOCK	1	55	F	CAPACITOR COVER	1
17	RP000607	ELBOW	1	37	RP000614	PRESSURE SWITCH	1	56	F	SCREW	1
18	RP000608 or A	CYLINDER HEAD CONNECTION	2	38	RP000615	RELEASE TUBE	1	57	RP000622	THREAD ADAPTOR	1
19	RP000609 or A	CYLINDER HEAD COVER	2	39	RP000616	CONNECTOR	1	58	A	CONNECTING ROD	2
20	RP000610 or A	AIR FILTER	2	40	RP000617	REGULATOR	1	59	A	SCREW	4

KIT CODE	PART NO.	DESCRIPTION
A	RP000640	Flexzilla™ Portable Air Compressors Replacement Pump and Motor for CB20100F and CB20200F
B	RP000641	Flexzilla™ Portable Air Compressors Pump Repair Kit for CB20100F and CB20200F
C	RP000642	Flexzilla™ Portable Air Compressors Replacement Fan and Cover for CB20100F and CB20200F
D	RP000645	Flexzilla™ Portable Air Compressors Replacement Foot Kit for CB20100F and CB20200F
E	RP000646	Flexzilla™ Portable Air Compressors Replacement Wheel Kit for CB20100F and CB20200F
F	RP000643	Flexzilla™ Portable Air Compressors Replacement Capacitor Cover for CB20100F and CB20200F
G	RP000644	Flexzilla™ Portable Air Compressors Replacement Power Cord for CB20100F and CB20200F

7. PRE-OPERATION CHECKLIST

Initial Set-up:

Package Contents:

- 1.) Air compressor
- 2.) Owner's Manual
- 3.) Air Filter Kit (2)
 - Includes pre-assembled unit consisting of male housing, female housing, filter element, and intake tube
- 4.) Anti-Vibration Foot Kit (4)
 - Includes elastomer pad, screw, and nut
- 5.) Wheel Kit (2)
 - Includes wheel, bolt, flat washer, lock washer, and nut
- 5.) Hot Surface Protection Kit (2)
 - Includes plastic head cover, head cover clamp, 2 screws

Assembly:

1.) Install Foot Kit (2 Locations)

- Lay down compressor handle side down to prevent unit from rolling
- Insert bolt through elastomer foot and through hole located in frame
- Thread nut onto bolt, lightly tighten
- Repeat at remaining location
- Leave compressor in this position for step 2

2.) Install Wheel Kit (2 Locations) (CB20100F/CB20200F models only)

- Lift compressor slightly to raise wheel off ground
- Insert bolt through wheel and through hole in bracket
- Install flat washer over bolt
- Install lock washer over bolt
- Thread nut onto bolt and tighten with wrench
- Repeat at remaining position
- Tip compressor upright by using the handle

3.) Install Air Filter

CF10050F (1 Location)

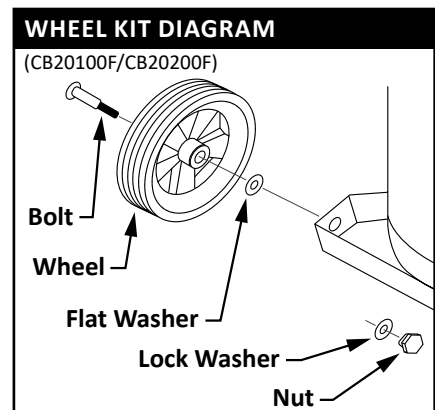
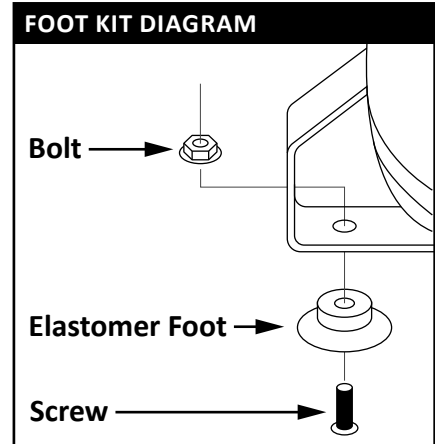
- When facing the front of compressor, locate the thread port in motor head along left side
- Thread filter into port, and tighten by hand securely

CB20100F/CB20200F (2 Locations)

- When facing the back of compressor, locate the thread ports near the top of the motor head behind the handle
- Thread filter into port, and tighten by hand securely

4.) Install Hot Surface Protection Kit (2 Locations)

- When facing the rear of the compressor, place plastic head cover over the cylinder head
 - *Note: The screw holes are located near the center of the compressor pump*
- Place head cover clamp below the plastic head cover
- Insert the 2 screws and tighten with PH2 screw driver securely

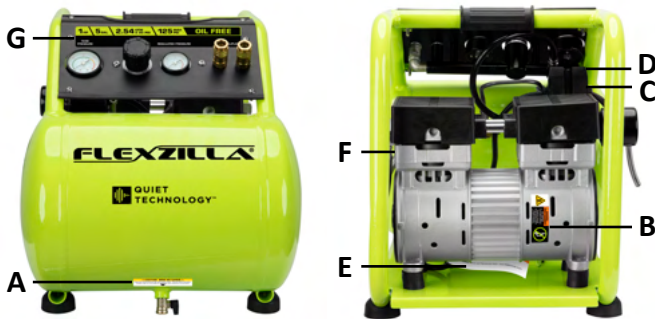


8. LOCATION OF PRODUCT LABELS

Read these important labels before operating.

These labels provide important safety and maintenance information. These labels should be considered as permanent parts of the air compressor. Should any of these labels become illegible, damaged or removed, please contact Legacy Manufacturing Company Service department for replacements by phone at 800-645-8258 ext. 121 or email service@legacymfg.com, M-F 8am-5pm CST.

CF10050F:



CB20100F / CB20200F:



PRODUCT LABEL	
A	
B	
C	
D	
E	
F	
G	

9. Warranty Statement

LIMITED WARRANTY STATEMENT

LEGACY MANUFACTURING COMPANY ("LEGACY") warrants that its products will be free from defects in material and workmanship under normal use for the period listed below:

Flexzilla® Portable Air Compressors 2 years from date of purchase

LEGACY'S sole obligation under this warranty is limited to replacing or repairing, free of charge, any equipment proven by an authorized service center to be defective in material or workmanship under normal use during the applicable warranty time period. To obtain repair or replacement, the product must be shipped to a LEGACY authorized Warranty and Service Center during the warranty period, transportation charges prepaid by the customer, with proof of date of purchase and explanation of the alleged defect. In the event of repair or replacement, the warranty period shall not be extended beyond the original warranty period.

This warranty is extended to the original purchaser only and is not transferable. This warranty does not apply to normal wear items such as packings, seals, tips and filters; equipment damaged from accident, overload, abuse, misuse, negligence, improper setup or installation, abrasive or corrosive materials; equipment repaired or altered by anyone not authorized by LEGACY to repair and alter equipment, or by acts of God. No allowance will be granted for any repairs or alterations made by a purchaser without LEGACY'S prior written consent.

LEGACY WILL BEAR NO OTHER EXPENSE, INCLUDING BUT NOT LIMITED TO LABOR AND MATERIAL COSTS (OTHER THAN THOSE SPECIFIED HEREIN) OF ANY KIND, AND YOUR EXCLUSIVE REMEDY, IN LIEU OF ALL INCIDENTAL, SPECIAL, CONSEQUENTIAL OR ANY OTHER DAMAGES, INCLUDING, BUT NOT LIMITED TO, DAMAGES FOR NEGLIGENCE, IS LIMITED TO REPAIR OR REPLACEMENT AS HERETOFORE DESCRIBED. THE FOREGOING WARRANTIES ARE IN LIEU OF ALL OTHER REPRESENTATIONS OR WARRANTIES, EXPRESS OR IMPLIED OF ANY KIND REGARDING ANY EQUIPMENT, INCLUDING BUT NOT LIMITED TO THE IMPLIED WARRANTIES OF MERCHANTABILITY AND FITNESS FOR A PARTICULAR PURPOSE OR USE. IN NO CASE SHALL LEGACY BE LIABLE FOR DEATH, INJURIES TO PERSON OR PROPERTY OR FOR INCIDENTAL, SPECIAL OR CONSEQUENTIAL DAMAGES ARISING FROM THE USE OF OUR PRODUCTS, WHETHER BASED UPON BREACH OF WARRANTY, BREACH OF CONTRACT, NEGLIGENCE, STRICT LIABILITY, OR ANY OTHER LEGAL THEORY.

Unless modified in writing, and signed by both parties, this Limited Warranty is understood to be the complete and exclusive agreement between the parties, superseding all prior agreements, oral or written, and all other communications between the parties relating to the subject matter of this Limited Warranty. Any action for breach of warranty must be commenced within twelve (12) months following the end of the warranty period.

While necessary maintenance or repairs on your Legacy equipment can be performed by any company, we recommend that you use only authorized Legacy dealers. Improper or incorrectly performed maintenance or repair voids this warranty.

**Contact Legacy Manufacturing Co.: 1-800-645-8258 ext. 121
Email service@legacymfg.com or visit www.flexzilla.com**

FLEXZILLA®

Instrucciones de
operación y garantía

COMPRESORES DE AIRE PORTÁTILES DE FUNCIONAMIENTO ELÉCTRICO Y SIN ACEITE

Flexzilla® diseña y fabrica productos para una operación segura. Sin embargo, los operadores y el personal de mantenimiento son responsables de mantener la seguridad. Se incluyen todas las precauciones de seguridad para proporcionar una pauta que minimice las posibilidades de accidentes y daños a la propiedad mientras el equipo está en operación. Conserve estas instrucciones como referencia.



Contenido

1. Por favor lea las notas importantes de seguridad	3-4	5. Solución de problemas	7
2. Instrucciones de ajuste	5	6. Diagramas de despiece	8-10
2.1 Ajuste inicial	5	CF10050F	8
2.2 Ubicación	5	CB20100F/CB20200F	9
2.3 Instalación eléctrica.....	5	7. Lista de verificación previa a la operación	10
3. Operación	5-6	8. Ubicación de las etiquetas del producto	11
3.1 Prueba de funcionamiento	5	9. Garantía	12
3.2 Operación diaria.....	5-6		
4. Mantenimiento	6		
4.1 Limpieza.....	6		
4.2 Limpieza o cambio del filtro de aire.....	6		
4.3 Drenado del tanque de aire.....	6		
4.4 Interruptor de presión.....	6		
4.5 Pruebas para detectar fugas.....	6		

1. NOTAS IMPORTANTES DE SEGURIDAD

Mensajes de seguridad y palabras de advertencia:

⚠ PELIGRO

Indica una situación de peligro inmediato que, si no se evita, provocará la muerte o lesiones graves.

⚠ ADVERTENCIA

Indica una situación de peligro potencial que, si no se evita, podría provocar la muerte o lesiones graves.

⚠ PRECAUCIÓN

Indica una situación de peligro potencial que, si no se evita, puede provocar lesiones menores o moderadas.

AVISO

Indica una situación que, si no se evita, puede provocar daños a los componentes del producto o alguna otra propiedad.

⚠ ADVERTENCIA

Este manual contiene instrucciones importantes para la operación de este producto. Por su seguridad y la de los demás, asegúrese de leer este manual detenidamente antes de operar este producto.

Si no se siguen debidamente todas las instrucciones y precauciones, usted y otros pueden resultar gravemente heridos o muertos.

⚠ ADVERTENCIA



EXPLOSIÓN



INCENDIO

Tenga la precaución de minimizar el riesgo de incendio o explosión.

Es normal que el motor del compresor de aire y el interruptor de presión produzcan chispas mientras están en operación. Si las chispas entran en contacto con los vapores de gasolina o solventes, estas pueden causar un incendio o una explosión.

Las herramientas abrasivas, como las rectificadoras, los taladros y otras herramientas pueden causar chispas que incendien materiales inflamables.

Siempre opere el compresor de aire a una distancia segura de los materiales inflamables. Utilícelo en áreas bien ventiladas.

Nunca exceda la presión máxima indicada.

⚠ PELIGRO

Existe peligro de descarga eléctrica.

Use solo cables eléctricos que no estén dañados.

NO toque receptáculos o cables pelados.

NO opere el compresor de aire en climas húmedos o en condiciones húmedas.

NO toque el compresor de aire o los cables si tiene mojados los pies o las manos.

Asegúrese de que ningún cable esté dañado antes de conectar la fuente de alimentación.

Asegúrese de contar con suficiente suministro de corriente para cumplir con los requisitos del motor.

La instalación inadecuada del enchufe con conexión a tierra puede presentar un riesgo por descarga eléctrica. Cuando se requiera el reemplazo o la reparación del cable o el enchufe, no conecte el cable de conexión a tierra a ninguna de las terminales planas. El cable con aislante que tiene una superficie exterior de color verde, con o sin bandas amarillas, es el cable de conexión a tierra.

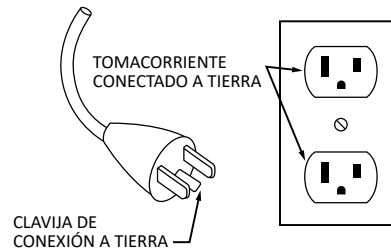
Este producto debe estar conectado a tierra. En el caso de un corto circuito, la conexión a tierra reduce el riesgo de una descarga eléctrica al proporcionar un cable de escape para la corriente eléctrica.

Este producto está equipado con un cable de conexión a tierra y un enchufe de conexión a tierra adecuado. El enchufe debe conectarse en un tomacorriente debidamente instalado y conectado a tierra de acuerdo con los códigos y ordenanzas locales.

Este producto está diseñado para funcionar con un circuito nominal de 120V y cuenta con un enchufe de conexión a tierra similar al enchufe ilustrado en el esquema A (a continuación). Conecte el producto únicamente a un tomacorriente que tenga la misma configuración que el enchufe.

No utilice un adaptador para conectar este producto.

(ESQUEMA A)



⚠ PRECAUCIÓN

Tenga precaución al usar cables de alimentación.

Utilice un cable de alimentación polarizado que no mida más de 25 pulgadas (7.6 m) de largo, por lo menos de calibre 14 y que posea un enchufe de conexión a tierra de 3 clavijas.

El uso de un cable de alimentación excesivamente largo o delgado causará daños graves al motor.

Un cable de menor tamaño provoca una caída en el voltaje de línea, la pérdida de potencia y sobrecalentamiento.

Si tiene dudas, utilice un calibre mayor. Entre menor sea la clasificación AWG, mayor corriente podrá llevar el cable.

ALMACENE EL COMPRESOR BAJO TECHO

⚠ ADVERTENCIA



RIESGO PARA LA RESPIRACIÓN

El polvo o las partículas similares causados por el lijado eléctrico, el aserrado, el rectificado, el taladrado o cualquier otra actividad de construcción pueden contener contaminantes que son perjudiciales si se respiran.

Siempre utilice su compresor de aire en una zona limpia y que esté bien ventilada.

Nunca respire el aire que sale directamente del compresor de aire o de la manguera de aire. Este aire no es adecuado para respirarlo.

Siempre utilice equipo de seguridad aprobado. Cuando realice actividades que generen polvo, utilice mascarillas faciales o respiradores que se ajusten bien.

Si se siente mal al respirar mientras opera su compresor de aire, deténgase y busque asistencia médica de inmediato.

⚠ ADVERTENCIA



OBJETOS PROYECTADOS EN EL AIRE

Los objetos voladores pueden causar lesiones en los ojos, la cabeza y otras partes del cuerpo.

El equipo accionado por aire y las herramientas eléctricas son capaces de arrojar objetos (virutas de metal, sujetadores y partículas) por el aire a gran velocidad y pueden causar lesiones.

Siempre utilice protección aprobada para la cabeza y los ojos.

Nunca apunte la corriente de aire a ninguna parte de su cuerpo o al de otra persona o animal.

Al operar el compresor de aire, asegúrese de que todas las personas y animales se mantengan a una distancia segura.

No mueva el compresor de aire cuando el tanque de aire se encuentre bajo presión.

Nunca utilice las mangueras de aire para jalar o mover el compresor de aire.

Mantenga el compresor de aire en una superficie plana.

⚠ PELIGRO



RIESGO DE CORTE

Las piezas móviles pueden causar traumatismos graves.

Mantenga las manos y los pies alejados de las piezas giratorias, recójase el cabello largo, quítese las joyas y NO use ropa holgada.

⚠ ADVERTENCIA



ESTALLIDO

Tenga la precaución de minimizar el riesgo de incendio o explosión.

El cuidado indebido puede llevar a que el tanque de aire se reviente o explote.

Drene el tanque de aire a diario o después de cada uso para evitar que la humedad se junte en el tanque de aire. El óxido puede debilitar el tanque de aire y causar fugas o rupturas. Si detecta óxido, reemplace el tanque de inmediato. No intente reparar el tanque de aire soldándolo, taladrándolo o modificándolo de alguna otra manera. Estas modificaciones pueden debilitar el tanque de aire y provocar una situación peligrosa.

Si el tanque tiene una fuga, reemplace el tanque de aire de inmediato. Nunca repare, suelde o modifique el tanque de aire o sus accesorios.

Nunca realice ajustes a las presiones establecidas desde fábrica.

Nunca exceda los accesorios de presión máxima permitida por el fabricante.

Debido al calor extremo, no utilice tuberías de plástico o uniones soldadas de plomo y estaño para una línea de descarga.

2. INSTRUCCIONES DE AJUSTE

2.1 Ajuste inicial

- 1.) Lea las advertencias de seguridad antes de usar el compresor de aire.

2.2 Ubicación

- 1.) Para evitar dañar el compresor de aire, no incline el compresor de aire de forma transversal o longitudinal a más de 10°.
- 2.) Coloque el compresor de aire al menos a 2 pies (61 cm) de distancia de obstáculos que puedan evitar que tenga una ventilación adecuada. No coloque el compresor de aire en una zona:
 - a. Donde haya evidencia de fugas de gas o aceite.
 - b. Donde puedan estar presentes materiales o vapores de gas inflamables.
 - c. Donde las temperaturas del aire desciendan por debajo de los 32 °F (0 °C) o excedan los 104 °F (40 °C).
 - d. Donde el aire o el agua extremadamente sucios puedan terminar dentro del compresor de aire.

2.3 Eléctrico

- 1.) **NO SE RECOMIENDA EL USO DE UN CABLE DE ALIMENTACIÓN** dado que podría sobrecalentar el motor del compresor. Es preferible que utilice una manguera de aire adicional en lugar de un cable de alimentación.
- 2.) Si es inevitable el uso de un cable de alimentación, asegúrese de utilizar uno lo suficientemente resistente para soportar la corriente que consumirá su compresor. Los tamaños mínimos de los cables son los siguientes:

Rango de clasificación de amperios	Voltaje	Longitud del cable en pies					
	120V	25 pi (7.5 m)	50 pi (15 m)	100 pi (30 m)	150 pi (46 m)	200 pi (61 m)	250 pi (76 m)
		240V	15 m (50 pi)	100 pi (30 m)	200 pi (61 m)	300 pi (91 m)	400 pi (122 m)
8 - 10		18	14	12	10	8	8
10 - 12		16	14	10	8	8	6
12 - 14		16	12	10	8	6	6
14 - 16		16	12	10	8	6	6
16 - 18		14	12	8	8	6	4
18 - 20		14	12	8	6	6	4

- 3.) Solo utilice un cable de alimentación polarizado que tenga un enchufe con conexión a tierra de 3 clavijas y un receptáculo de 3 ranuras que acepte el enchufe del compresor.
- 4.) Examine los cables antes de usarlo. No utilice el compresor si su cable está dañado. No utilice un cable de alimentación dañado.
- 5.) Mantenga alejados los cables del calor y los bordes afilados. No tire del cable para desconectar un enchufe: sujete el enchufe.
- 6.) Siempre apague el interruptor de presión del compresor antes de desconectar el compresor.

3. OPERACIÓN

3.1 Prueba de funcionamiento

Antes de utilizar el compresor de aire por primera vez tiene que completar una prueba de funcionamiento del siguiente modo:

- 1.) Cambie el interruptor de encendido a la posición de APAGADO. Conecte el cable de la fuente de alimentación en el receptáculo para la fuente de alimentación. Ponga en marcha el compresor de aire cambiando el interruptor de encendido a la posición de ENCENDIDO. La lectura del indicador de presión aumentará lentamente conforme aumenta la presión dentro del tanque de aire. Cuando la lectura del indicador esté entre los 120 PSI y los 125 PSI, el interruptor de presión cortará automáticamente la corriente. Esto indica que el compresor funciona con normalidad.
- 2.) Cambie el interruptor de encendido a la posición de APAGADO, desconecte el cable de la fuente de alimentación y tire de la válvula de seguridad para liberar el aire en el tanque. En este punto prosiga con el siguiente paso.

Nota: En caso de que el compresor de aire no funcione adecuadamente, el indicador de presión le indicará que ha disminuido la presión en el tanque de aire. Si hay una fuga de aire en el compresor, la presión en el tanque de aire disminuirá, el interruptor de presión se reinicia y el motor se enciende automáticamente.

Si detecta una fuga de aire, cambie el interruptor de encendido a la posición de APAGADO y tire de la válvula de seguridad para liberar el aire del tanque. Desenchufe el cable de la fuente de alimentación y comuníquese con el Servicio al Cliente para obtener ayuda.

3.2 Operación diaria

Cómo encender el compresor:

- 1.) Cambie el interruptor de encendido a la posición de APAGADO.
- 2.) Conecte la manguera de aire al conector rápido universal/industrial de 1/4 de pulgada.
- 3.) Verifique que todas las conexiones de aire estén bien apretadas y cierre la válvula de drenado manual.
- 4.) Mantenga un espacio abierto de 2 pies (60 cm) alrededor del compresor de aire.
- 5.) Conecte el cable de la fuente de alimentación en un tomacorriente/disyuntor de 110V 20 amperios.
- 6.) Cambie el interruptor de encendido a la posición de ENCENDIDO.
- 7.) Deje el motor en marcha y llene el tanque hasta que se apague el motor.
- 8.) Regulación del flujo de aire. Mientras el compresor de aire está en marcha, encienda su herramienta y gire la perilla del regulador hacia la derecha para aumentar la presión. Aumente la presión hasta alcanzar la presión deseada.
- 9.) Opere la herramienta de aire con normalidad. No la utilice continuamente (en marcha) por más de (8 a 12) horas.

Apagado del compresor:

- 1.) Cambie el interruptor de encendido a la posición de APAGADO.
- 2.) Desconecte el cable de corriente de la fuente de alimentación y envuelva el cable de corriente alrededor del mango del compresor de aire para reducir el riesgo de daño.
- 3.) Abra manualmente la válvula de drenado para liberar toda la presión y la humedad del tanque de aire.
- 4.) Limpie el compresor de aire para retirar toda la suciedad y el polvo.

Antes de almacenarlo por un periodo de tiempo prolongado:

- 5.) Cubra el compresor de aire para proteger la unidad del polvo y la humedad.
- 6.) No apile o almacene ningún otro objeto encima del compresor de aire o alrededor del mismo. Podría ocurrir un daño.

4. MANTENIMIENTO

4.1 Limpieza

Limpie las partes con un cepillo de cerdas suaves o limpie con un paño húmedo, usando un solvente biodegradable.

No utilice líquidos inflamables, como gasolina o alcohol. Mantenga siempre las partes libres de suciedad y polvo para obtener un mejor rendimiento.

4.2 Limpieza o cambio del filtro de aire

El filtro de aire está diseñado para disminuir el ruido y para ayudar a evitar que las partículas en el aire terminen dentro del compresor de aire y lo dañen.

Después de ser utilizado por un periodo de tiempo, el filtro del aire se obstruirá. Esto disminuirá la capacidad de entrada de aire del compresor de aire, disminuyendo el rendimiento. Por lo tanto, el filtro de aire debe limpiarse o reemplazarse regularmente.

- 1.) Abra la tapa del filtro de aire, después retire el elemento del filtro de aire.
- 2.) Sople o utilice un cepillo para limpiar la suciedad y el polvo en el elemento.
- 3.) Si está obstruido, reemplácelo con un nuevo filtro de aire.

4.3 Drenado del tanque de aire

La frecuencia con la que debe drenar el tanque de aire depende de las condiciones ambientales y la cantidad de tiempo de operación registrado. La frecuencia de drenado en promedio es de 1 a 2 días.

- 1.) Coloque el compresor de aire sobre un recipiente capaz de contener agua.
- 2.) Cuando haya aire comprimido en el tanque de aire, gire lentamente la perilla de la válvula de drenado hacia la posición delantera (abierta) o recta. El agua en el tanque de aire será drenada.
- 3.) Una vez que se haya drenado toda el agua acumulada, gire la perilla de la válvula de drenado a la posición de cerrado o izquierda para evitar fugas.
- 4.) El drenado del tanque de aire protege las partes del óxido y la corrosión.

4.4 Interruptor de presión

El interruptor de presión está preconfigurado desde la fábrica para apagarse entre los 120 y los 125 PSI y reiniciarse entre los 90 y los 95 PSI.

4.5 Pruebas para detectar fugas

Asegúrese de todas las conexiones estén apretadas. No las ajuste demasiado.

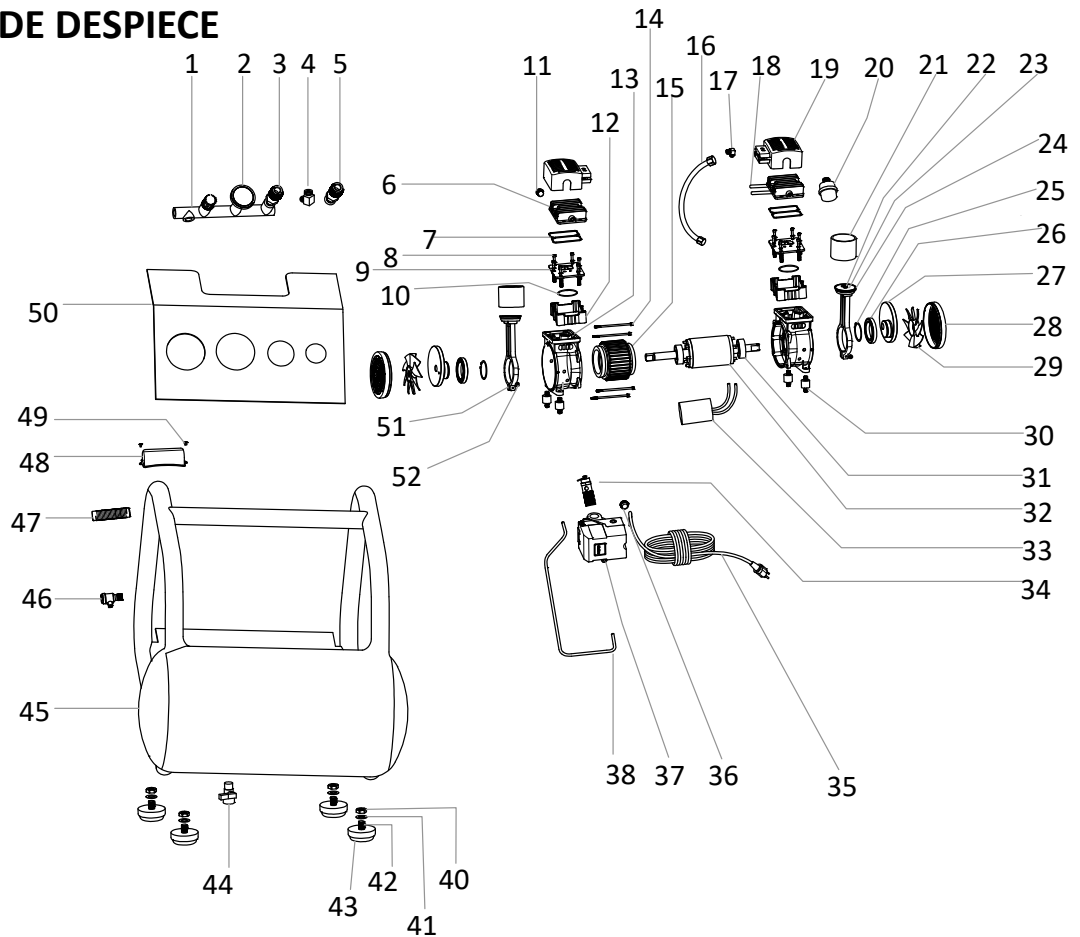
Una fuga pequeña en cualquier conexión de manguera o tubería disminuirá el rendimiento del compresor de aire.

Para verificar si hay fugas pequeñas, rocíe un poco de agua jabonosa en la zona donde se sospecha que hay una fuga. Si el jabón burbujea, reemplace la parte rota.

5. SOLUCIÓN DE PROBLEMAS

Problema	Causa posible	Reparación
Caída de presión en el tanque.	Fugas de aire en las conexiones.	Deje que el compresor acumule presión en el tanque, hasta alcanzar la presión máxima si es posible. Aplique agua jabonosa en las conexiones de aire y observe detenidamente si aparecen burbujas de aire. Ajuste las conexiones con fugas. Si el problema persiste, comuníquese con el Servicio al Cliente para una mayor asesoría.
La válvula de descarga tiene fugas cuando el compresor está inactivo.	El sello de la válvula de descarga está defectuoso.	Deje fluir el aire en el tanque de aire hasta liberar toda la presión. Después retire el enchufe de la válvula de descarga y limpie el sello de la válvula. Si es necesario, reemplace el sello y reinstale todos los componentes.
El compresor se detuvo y no enciende.	La protección térmica se encendió porque el motor se está sobrecalentando.	Verifique que el voltaje principal corresponda con las especificaciones del compresor de aire. Un cable de alimentación muy delgado o muy largo puede disminuir el voltaje y sobrecalentar el motor. El uso excesivo (más de 1 hora de uso continuo) puede sobrecalentar el motor. Permita que el motor se enfríe.
	Las bobinas del motor están quemadas.	Comuníquese con Servicio al Cliente.
El motor no enciende y hace un zumbido.	El condensador está quemado.	Comuníquese con Servicio al Cliente.
El motor no enciende o arranca con lentitud.	Suministro de bajo voltaje al motor.	Verifique que el voltaje principal corresponda con las especificaciones del compresor de aire. Un cable de alimentación muy delgado o muy largo puede disminuir el voltaje. Utilice cables de alimentación para uso rudo. Asegúrese de que el compresor de aire esté conectado en un tomacorriente totalmente funcional.
El compresor es ruidoso, con sonidos metálicos.	La junta del cabezal o la válvula de láminas del compresor está dañada.	Detenga el compresor y comuníquese con Servicio al Cliente.
El compresor no alcanza la presión máxima.	La junta del cabezal o la válvula de láminas del compresor está dañada.	Detenga el compresor y comuníquese con Servicio al Cliente.
El compresor no parece proporcionar tanto aire como cuando estaba nuevo o el compresor se apaga en un periodo de tiempo mucho más corto.	El interruptor de presión necesita ajustarse.	Detenga el compresor y comuníquese con Servicio al Cliente.
	El tanque está lleno de agua debido a la condensación.	Abra la válvula de drenado y libere el agua del tanque.
La unidad de bombeo del motor no se detiene cuando la presión del tanque alcanza su presión de funcionamiento máxima.	El interruptor de presión está defectuoso o necesita ajustarse.	Detenga el compresor de inmediato y comuníquese con Servicio al Cliente.

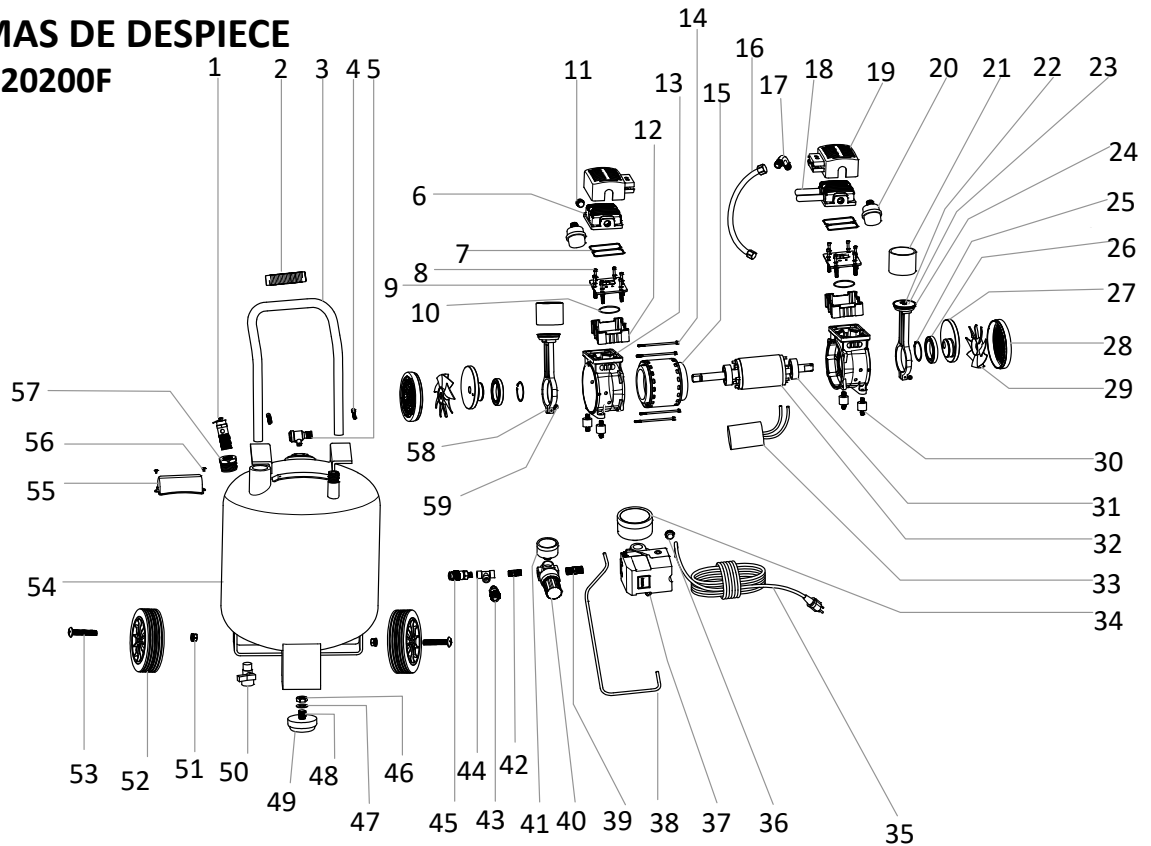
6. DIAGRAMAS DE DESPIECE CF10050F



#	NÚM. DE PARTE/ CÓDIGO DE KIT	DESCRIPCIÓN	CANT.	#	NÚM. DE PARTE/ CÓDIGO DE KIT	DESCRIPCIÓN	CANT.	#	NÚM. DE PARTE/ CÓDIGO DE KIT	DESCRIPCIÓN	CANT.
1	RP000500	SOPORTE DEL REGULADOR	1	18	RP000506 o A	CONEXIÓN DEL CABEZAL DEL CILINDRO	2	35	F	CORDÓN ELÉCTRICO	1
2	RP000501	INDICADOR DE PRESIÓN DEL REGULADOR	1	19	RP000507 o A	CUBIERTA DEL CABEZAL DEL CILINDRO	2	36	F	CABLE DE SEGURIDAD	1
3	A77425	ACOPLADOR RÁPIDO	1	20	RP000508 o A	FILTRO DE AIRE	2	37	RP000512	INTERRUPTOR DE PRESIÓN	1
4	RP000502	CODO	1	21	A o B	CILINDRO	2	38	RP000513	TUBO DE ESCAPE	1
5	A77425	ACOPLADOR RÁPIDO	1	22	A o B	TORNILLO	2	39	RP000514	TUBO DE SUMINISTRO DE AIRE	1
6	RP000503 o A	CABEZAL DEL CILINDRO	2	23	A	ALMOHADILLA DE PRESIÓN	2	40	D	TUERCA	4
7	A o B	SELLO DE GOMA	2	24	A o B	COPA DE PISTÓN DE TEFLÓN	2	41	D	MUELLE	4
8	A o B	TORNILLO	8	25	A	SUJETADOR	2	42	D	TORNILLO	4
9	A o B	PLACA DE LA VÁLVULA	2	26	A	COJINETE	2	43	D	PATA DE GOMA	4
10	A o B	SELLO DE GOMA	2	27	A	CIGÜEÑAL	2	44	RP000515	DESAGÜE	1
11	A	TAPÓN	1	28	A o C	VENTILADOR	2	45	RP000516	TANQUE	1
12	A	SOPORTE DEL CILINDRO	2	29	A o C	CUBIERTA DEL VENTILADOR	2	46	RP000517	VÁLVULA DE RETENCIÓN	1
13	A	CAJA DEL CIGÜEÑAL	2	30	RP000509	AISLANTE	4	47	RP000518	ASIDERO DE CAUCHO	1
14	A	TORNILLO	4	31	A	COJINETE	2	48	E	CUBIERTA DEL CONDENSADOR	1
15	A	ESTATOR Y BOBINADO	1	32	A	ROTOR	1	49	E	TORNILLO	1
16	RP000504	TUBO DE SUMINISTRO DE AIRE	1	33	RP000510	CONDENSADOR	1	50	RP000519	PANEL	1
17	RP000505	CODO	1	34	RP000511	VÁLVULA DE SEGURIDAD	1	51	A	CIGÜEÑAL	2
								52	A	TORNILLO	4

CÓDIGO DEL KIT	NÚMERO DE PARTE	DESCRIPCIÓN
A	RP000540	Bomba y motor de repuesto para compresores de aire portátiles Flexzilla™ para el modelo CF10050F
B	RP000541	Kit de reparación de bombas para compresores de aire portátiles Flexzilla™ para el modelo CF10050F
C	RP000542	Ventilador y cubierta de repuesto para compresores de aire portátiles Flexzilla™ para el modelo CF10050F
D	RP000545	Kit de patas de repuesto para compresores de aire portátiles Flexzilla™ para el modelo CF10050F
E	RP000543	Cubierta del condensador de repuesto para compresores de aire portátiles Flexzilla™ para el modelo CF10050F
F	RP000544	Cable de corriente de repuesto para compresores de aire portátiles Flexzilla™ para el modelo CF10050F

6. DIAGRAMAS DE DESPIECE CB20100F/CB20200F



#	NÚM. DE PARTE/ CÓDIGO DE KIT	DESCRIPCIÓN	CANT.	#	NÚM. DE PARTE/ CÓDIGO DE KIT	DESCRIPCIÓN	CANT.	#	NÚM. DE PARTE/ CÓDIGO DE KIT	DESCRIPCIÓN	CANT.
1	RP000600	VÁLVULA DE SEGURIDAD	1	21	A o B	CILINDRO	2	41	RP000618	INDICADOR DE PRESIÓN DEL REGULADOR	1
2	RP000601	ASIDERO DE CAUCHO	1	22	A o B	TORNILLO	2	42	RP000619	CONECTOR	1
3	RP000602	MANIVELA	1	23	A	ALMOHADILLA DE PRESIÓN	2	43	A77425	ACOPLADOR RÁPIDO	1
4	RP000603	TORNILLO	2	24	A o B	COPA DE PISTÓN DE TEFLÓN	2	44	RP000620	CODO DE TRES VÍAS	1
5	RP000604	VÁLVULA DE RETENCIÓN	1	25	A	SUJETADOR	2	45	A77425	ACOPLADOR RÁPIDO	1
6	RP000605 o A	CABEZAL DEL CILINDRO	2	26	A	COJINETE	2	46	D	TUERCA	2
7	A o B	SELLO DE GOMA	2	27	A	CIGÜEÑAL	2	47	D	MUELLE	2
8	A o B	TORNILLO	8	28	A o C	VENTILADOR	2	48	D	TORNILLO	2
9	A o B	PLACA DE LA VÁLVULA	2	29	A o C	CUBIERTA DEL VENTILADOR	2	49	D	PATA DE GOMA	2
10	A o B	SELLO DE GOMA	2	30	RP000611	AISLANTE	4	50	RP000621	VÁLVULA DE DRENAJE	1
11	A	TAPÓN	1	31	A	COJINETE	2	51	E	TUERCA	2
12	A	SOPORTE DEL CILINDRO	2	32	A	ROTOR	1	52	E	RUEDA	2
13	A	CAJA DEL CIGÜEÑAL	2	33	RP000612	CONDENSADOR	1	53	E	TORNILLO	2
14	A	TORNILLO	4	34	RP000613	INDICADOR DE PRESIÓN DEL TANQUE	1	54	RP000625	TANQUE DE 10 GAL (CB20100F)	1
15	A	ESTATOR Y BOBINADO	1	35	G	CORDÓN ELÉCTRICO	1	54	RP000626	TANQUE DE 20 GAL (CB20200F)	1
16	RP000606	TUBO DE SUMINISTRO DE AIRE	1	36	G	CABLE DE SEGURIDAD	1	55	F	CUBIERTA DEL CONDENSADOR	1
17	RP000607	CODO	1	37	RP000614	INTERRUPTOR DE PRESIÓN	1	56	F	TORNILLO	1
18	RP000608 o A	CONEXIÓN DEL CABEZAL DEL CILINDRO	2	38	RP000615	TUBO DE ESCAPE	1	57	RP000622	ADAPTADOR DE ROSCA	1
19	RP000609 o A	CUBIERTA DEL CABEZAL DEL CILINDRO	2	39	RP000616	CONECTOR	1	58	A	CIGÜEÑAL	2
20	RP000610 o A	FILTRO DE AIRE	2	40	RP000617	REGULADOR	1	59	A	TORNILLO	4

CÓDIGO DEL KIT	NÚMERO DE PARTE	DESCRIPCIÓN
A	RP000640	Bomba y motor de repuesto para compresores de aire portátiles Flexzilla™ para los modelos CB20100F y CB20200F
B	RP000641	Kit de reparación de bombas para compresores de aire portátiles Flexzilla™ para los modelos CB20100F y CB20200F
C	RP000642	Ventilador y cubierta de repuesto para compresores de aire portátiles Flexzilla™ para los modelos CB20100F y CB20200F
D	RP000645	Kit de patas de repuesto para compresores de aire portátiles Flexzilla™ para los modelos CB20100F y CB20200F
E	RP000646	Kit de ruedas de repuesto para compresores de aire portátiles Flexzilla™ para los modelos CB20100F y CB20200F
F	RP000643	Cubierta del condensador de repuesto para compresores de aire portátiles Flexzilla™ para los modelos CB20100F y CB20200F
G	RP000644	Cable de corriente de repuesto para compresores de aire portátiles Flexzilla™ para el modelo CB20100F y CB20200F

7. LISTA DE VERIFICACIÓN PREVIA A LA OPERACIÓN

Ajuste inicial:

Contenido del paquete:

- 1.) Compresor de aire
- 2.) Manual del propietario
- 3.) Kit para filtro de Aire (2)
 - Incluye una unidad previamente ensamblada que consiste en una carcasa macho, una carcasa hembra, un elemento filtrante y un tubo de entrada.
- 4.) Kit de patas anti-vibratorias (4)
 - Incluye protector de elastómero, tornillo y tuerca
- 5.) Kit de ruedas (2)
 - Incluye rueda, perno, arandela plana, arandela de seguridad y tuerca
- 6.) Kit de protección para superficies calientes (2)
 - Incluye una cubierta de plástico para el cabezal, una abrazadera para la cubierta del cabezal, 2 tornillos

Ensamblado:

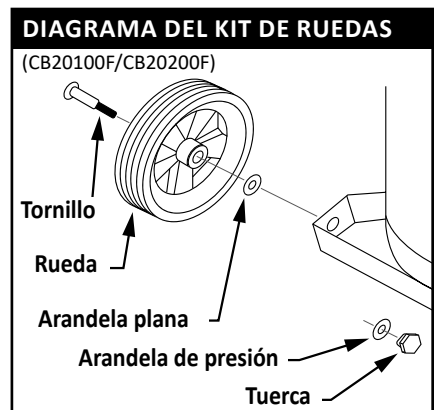
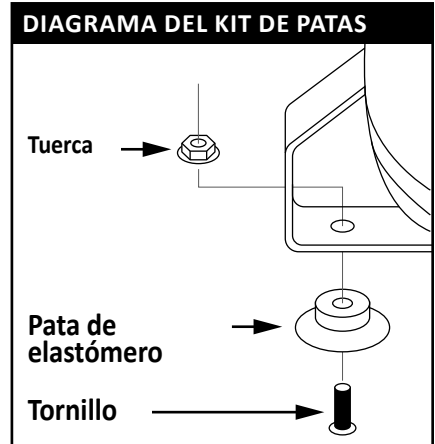
- 1.) **Instalación del kit de patas** (2 ubicaciones)
 - Coloque el compresor con el lado del mango hacia abajo para evitar que la unidad ruede
 - Inserte el perno a través de la pata de elastómero y a través del agujero en el armazón
 - Enrosque la tuerca en el perno, apriete ligeramente
 - Repita en la otra ubicación
 - Deje el compresor en esta posición para el paso 2
- 2.) **Instalación del kit de ruedas** (2 ubicaciones) (solo para modelos CB20100F/CB20200F)
 - Levante el compresor ligeramente para elevar la rueda del suelo
 - Inserte el perno a través de la rueda y a través del agujero en el soporte
 - Instale la arandela plana sobre el perno
 - Instale la arandela de seguridad sobre el perno
 - Enrosque la tuerca en el perno y apriete con una llave de tuercas
 - Repita en la otra posición
 - Coloque el compresor en posición vertical usando el mango
- 3.) **Instalación del filtro de aire**

CF10050F (1 ubicación)

 - Cuando esté de cara a la parte delantera del compresor, ubique el puerto de rosca en el cabezal del motor a lo largo del lado izquierdo
 - Enrosque el filtro en el puerto y apriete con la mano de forma segura

CB20100F/CB20200F (2 ubicaciones)

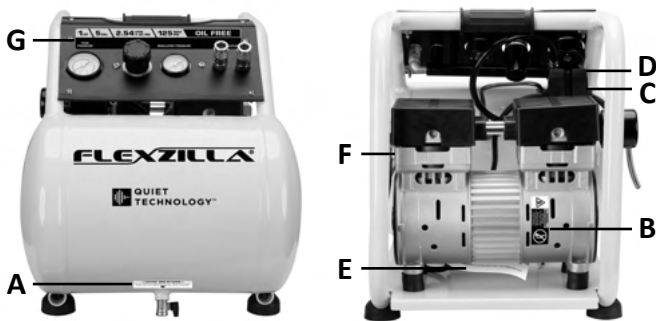
 - Cuando esté de cara a la parte trasera del compresor, ubique el puerto de rosca cerca de la parte superior del cabezal del motor, detrás del mango
 - Enrosque el filtro en el puerto y apriete con la mano de forma segura
- 4.) **Instalación del kit de protección para superficies calientes** (2 ubicaciones)
 - Cuando esté de cara a la parte trasera del compresor, coloque la cubierta de plástico para el cabezal sobre el cabezal del cilindro
 - *Nota: Los agujeros para los tornillos se encuentran cerca del centro de la bomba del compresor*
 - Coloque la abrazadera para la cubierta del cabezal debajo de la cubierta de plástico para el cabezal
 - Inserte los 2 tornillos y apriételos con un destornillador PH2



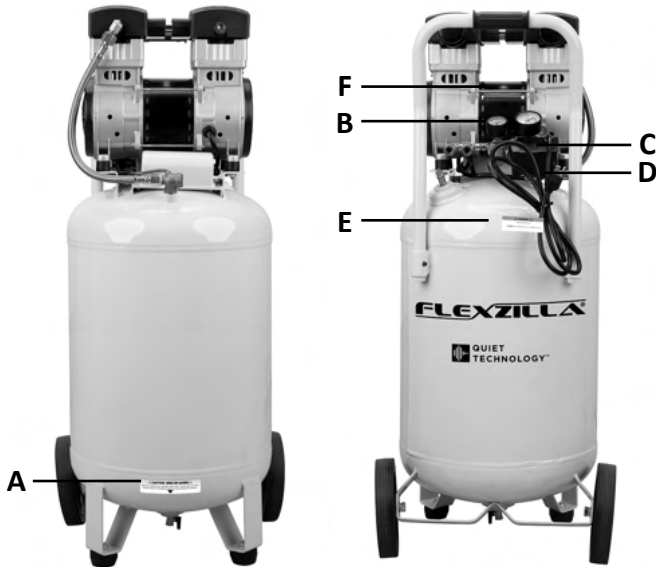
8. UBICACIÓN DE LAS ETIQUETAS DEL PRODUCTO

Lea estas importantes etiquetas antes de comenzar a operar. Estas etiquetas proporcionan información importante sobre la seguridad y el mantenimiento. Estas etiquetas deben considerarse como partes permanentes del compresor de aire. Si alguna de estas etiquetas se vuelve ilegible, se daña o es retirada, por favor comuníquese con el departamento de servicio de Legacy Manufacturing Company para obtener un repuesto, llamando al teléfono al 800-645-8258 ext. 121 o por correo electrónico a service@legacymfg.com, L a V de 8 a. m. a 5 p. m. CST.

CF10050F:



CB20100F / CB20200F:



ETIQUETA DEL PRODUCTO	
A	<p>⚠ CAUTION MISE EN GARDE ⚠</p> <p>Drain the moisture from the tank every week. Prevent tank corrosion. Drainer l'eau et l'humidité du réservoir pour prévenir la corrosion.</p>
B	<p>⚠ WARNING AVERTISSEMENT</p> <p>HOT SURFACE Do not touch. Allow to cool before servicing.</p> <p>SURFACE CHAUDE Ne pas toucher. Laisser refroidir avant de procéder à l'entretien.</p>
C	<p>POWER SWITCH INTERRUPTEUR D'ALIMENTATION</p> <p>Auto/On Auto/En Marche</p> <p>Off Hors tension</p>
D	<p>⚠ WARNING AVERTISSEMENT</p> <p>RISK OF BURSTING Do not adjust factory settings RISK OF ELECTRIC SHOCK Do not remove cover</p> <p>RISQUE D'ÉCLATEMENT Ne pas changer les réglages d'usine RISQUE DE CHOC ÉLECTRIQUE Ne retirez pas le couvercle</p>
E	<p>⚠ AVERTISSEMENT ⚠ Proposition de Californie 65</p> <p>⚠ WARNING ⚠ California Proposition 65</p> <p><small>⚠ AVERTISSEMENT: Copier et Traduire de l'appareil reproducteur - www.PDFWorship.com</small></p> <p><small>⚠ WARNING: Copier and Reproduce Here - www.PDFWorship.com</small></p>
F	<p>FLEXZILLA®</p> <p>Air Compressor Model / Modèle : ##### Compresseur à air</p> <p>Voltage & Current / Tension et courant 115V ~ 60 Hz ##A</p> <p>Power / Puissance # HP / # CV # HP / # CV</p> <p>Tank / Réservoir 10 gal. (37.8 L)</p> <p>No-load speed / Vitesse sans charge 1750 rpm / tr/min</p> <p>Max air pressure / Pression d'air max 125 psi / lb/po²</p> <p>Serial No. / No. de série</p> <p>Made in China / Fabriqué en Chine</p> <p>⚠ WARNING AVERTISSEMENT</p> <p>To reduce the risk of injury, user must read and understand instruction manual. Afin de réduire le risque de blessures, l'utilisateur doit lire et bien comprendre le mode d'emploi.</p>
G	<p>1 HP 5 GAL 2.54 CFM @ 90 PSI 125 MAX PSI OIL FREE</p> <p>TANK PRESSURE REGULATOR REGULATED PRESSURE QUICK COUPLER</p>

9. Declaración de garantía

DECLARACIÓN DE GARANTÍA DE LIMITADA

WEEMS INDUSTRIES, INC., que opera bajo el nombre LEGACY MANUFACTURING COMPANY ("LEGACY") garantiza que sus productos estarán libres de defectos de material y mano de obra bajo un uso normal durante el periodo que se indica a continuación:

Compresores de aire portátiles Flexzilla® 2 años a partir de la fecha de compra

La única obligación de LEGACY en virtud de esta garantía se limita a sustituir o reparar, sin costo alguno, cualquier equipo que se haya comprobado como defectuoso en materiales o mano de obra por un centro de servicio autorizado bajo uso normal durante el periodo de garantía aplicable. Con el fin de reparar o sustituir dicho equipo, el producto deberá ser enviado a un Centro de Servicio y Garantía LEGACY autorizado durante la vigencia de la garantía, con el costo de los fletes prepagados por el cliente y acompañado del comprobante de compra con la fecha de adquisición y explicación del supuesto defecto. En caso de una reparación o sustitución, el periodo de garantía no deberá extenderse más allá del periodo original de su vigencia.

Esta garantía se le extiende solamente al comprador original y no es transferible. Esta garantía no aplica a los artículos que normalmente se desgastan, como lo son los empaques, sellos, casquillos y filtros, ni al equipo dañado a consecuencia de un accidente, sobrecarga, abuso, mal uso, negligencia, instalación o ajuste inadecuados, por los efectos de materiales abrasivos o corrosivos, ni al equipo reparado o modificado por cualquier persona ajena no autorizada por LEGACY para reparar o alterar dicho equipo, ni por desastres naturales. No se le otorgará ninguna concesión por concepto de ninguna reparación o alteración hecha por el comprador sin el previo consentimiento por escrito de LEGACY.

LEGACY NO SERÁ RESPONSABLE DE NINGÚN OTRO GASTO, QUE INCLUYA MAS NO SE LIMITE A LOS COSTOS DE LA MANO DE OBRA Y MATERIALES (A EXCEPCIÓN DE AQUELLOS ESPECIFICADOS EN LA PRESENTE) DE NINGUNA CLASE Y SU REMEDIO, COMO RESULTADO DE TODO DAÑO INCIDENTAL, ESPECIAL, CONSECUCIONAL O DE CUALQUIER OTRA ÍNDOLE, QUE INCLUYE, MAS NO SE LIMITA A LOS DAÑOS POR NEGLIGENCIA Y SE LIMITARÁ A REPARARLO O SUSTITUIRLO COMO SE HA DESCRITO ANTERIORMENTE Y SE DESCRIBIRÁ MÁS ADELANTE. LAS GARANTÍAS VIGENTES SUSTITUYEN CUALESQUIERA OTRAS REPRESENTACIONES O GARANTÍAS, EXPRESADAS O IMPLÍCITAS DE CUALQUIER ÍNDOLE RELACIONADAS CON CUALQUIER EQUIPO, INCLUIDAS, ENTRE OTRAS, LAS GARANTÍAS IMPLÍCITAS DE MERCADOTECNIA Y ADECUACIÓN PARA UN PROPÓSITO O USO PARTICULAR. BAJO NINGUNA OTRA CIRCUNSTANCIA LEGACY SERÁ RESPONSABLE DE LA MUERTE, LESIONES A PERSONAS O BIENES MATERIALES, NI DAÑOS INCIDENTALES, ESPECIALES O CONSECUCIONALES QUE SURJAN DEL USO DE NUESTROS PRODUCTOS, TOMANDO COMO BASE EL INCUMPLIMIENTO DE LA GARANTÍA, INCUMPLIMIENTO DEL CONTRATO, NEGLIGENCIA, RESPONSABILIDAD ESTRUCTA, O CUALQUIER OTRA TEORÍA JURÍDICA.

Salvo que se modifique por escrito y sea firmada por ambas partes, esta garantía limitada deberá interpretarse como un convenio completo y exclusivo entre las partes, invalidando todo convenio previo, ya sea expresado o por escrito y cualesquiera otras comunicaciones entre las partes que estén relacionadas con el asunto sujeto de esta garantía limitada. Cualquier proceso por incumplimiento de la garantía deberá darse por iniciado dentro de los doce (12) meses posteriores al término del periodo de la garantía.

Dado que el mantenimiento y reparación de su equipo Legacy podrá ser hecho por cualquier empresa, le recomendamos que acuda solamente a los distribuidores Legacy autorizados. Las labores de mantenimiento o reparaciones inapropiadas o incorrectas invalidarán la garantía.

Comuníquese con Legacy Manufacturing Co.: 1-800-645-8258 ext. 121

Envíe un mensaje de correo electrónico a service@legacymfg.com o visite www.flexzilla.com

FLEXZILLA®

Instructions d'utilisation
et garantie

COMPRESSEURS D'AIR PORTABLES ÉLECTRIQUES SANS HUILE

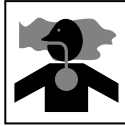
Flexzilla® conçoit et fabrique des produits offrant un fonctionnement sécuritaire. Toutefois, le maintien de la sécurité relève de la responsabilité des opérateurs et du personnel d'entretien. Toutes les mesures de précaution incluses sont fournies pour minimiser le risque d'accidents et de dommages matériels durant le fonctionnement de la machine. Conserver ces instructions pour toute référence ultérieure.



Sommaire

1. Avis de sécurité importants - À lire.....	3-4	5. Dépannage	7
2. Instructions d'installation	5	6. Vues éclatées	8-10
2.1 Installation initiale.....	5	CF10050F.....	8
2.2 Emplacement.....	5	CB20100F / CB20200F	9
2.3 Branchement électrique.....	5	7. Liste de vérifications avant utilisation.....	10
3. Mode d'emploi.....	5-6	8. Emplacement des étiquettes du produit.....	11
3.1 Essai de fonctionnement.....	5	9. Garantie	12
3.2 Fonctionnement quotidien.....	5-6		
4. Entretien	6		
4.1 Nettoyage.....	6		
4.2 Nettoyer ou changer le filtre à air.....	6		
4.3 Purger le réservoir d'air.....	6		
4.4 Manocapteur	6		
4.5 Vérifier l'étanchéité.....	6		

⚠ AVERTISSEMENT



RISQUE POUR LA RESPIRATION

La poussière ou autres particules semblables produites par le ponçage à la machine, le sciage, le meulage, le perçage ou toute autre activité de chantier similaire peuvent contenir des agents contaminants nuisibles pour l'appareil respiratoire.

Toujours utiliser le compresseur d'air dans un endroit propre et bien aéré.

Ne jamais respirer l'air provenant directement du compresseur d'air ou du tuyau d'air. Cet air ne convient pas à la respiration.

Toujours porter un équipement de sécurité homologué. Lors d'activités produisant de la poussière, porter des masques ou appareils respiratoires correctement ajustés.

En cas de malaise causé par la respiration durant l'utilisation du compresseur d'air, cesser l'activité et consulter immédiatement un médecin.

⚠ AVERTISSEMENT



OBJETS PROJÉTÉS

Les objets projetés peuvent provoquer des blessures aux yeux, à la tête et autres parties du corps.

Le matériel et les outils à alimentation pneumatique sont capables de propulser des solides (copeaux métallique, visserie et particules) à grande vitesse dans l'air et de provoquer des blessures.

Toujours porter une protection adaptée de la tête et des yeux.

Ne jamais pointer le jet d'air vers une quelconque partie du corps ni vers une autre personne ou un animal.

Lors de l'utilisation du compresseur d'air, s'assurer que toutes les autres personnes et les animaux se tiennent à une distance sécuritaire.

Ne pas déplacer le compresseur d'air lorsque le réservoir d'air est sous pression.

Ne jamais utiliser les tuyaux d'air pour tirer ou déplacer le compresseur d'air.

Garder le compresseur d'air sur une surface plane.

⚠ DANGER



RISQUE DE COUPURE

Les pièces en mouvement peuvent provoquer des lésions graves.

Tenir les mains et les pieds à l'écart des pièces en rotation, attacher les cheveux longs, enlever toute la bijouterie et NE PAS porter de vêtements amples.

⚠ AVERTISSEMENT



ÉCLATEMENT

Faire preuve de précaution pour minimiser les risques d'incendie ou d'explosion.

Un entretien insuffisant peut entraîner l'éclatement ou l'explosion du réservoir d'air.

Purger le réservoir d'air chaque jour ou après chaque utilisation pour éviter l'accumulation d'humidité à l'intérieur. La rouille peut affaiblir le réservoir d'air et provoquer des fuites ou son éclatement. Si de la rouille est détectée, changer le réservoir immédiatement. Ne pas tenter de réparer le réservoir d'air par soudage, perçage ou aucun autre type de modification. Ces modifications peuvent affaiblir le réservoir d'air et produire une situation dangereuse.

Si le réservoir d'air présente une fuite, le remplacer immédiatement. Ne jamais réparer, souder ni modifier le réservoir d'air ou les accessoires attachés.

Ne jamais modifier les réglages de pression effectués à l'usine.

Ne jamais la pression nominale admissible maximale du fabricant pour les accessoires attachés.

En raison de la très forte chaleur, ne pas utiliser de tuyaux en plastique ni de raccords soudés à l'étain-plomb pour la conduite de refoulement.

2. INSTRUCTIONS D'INSTALLATION

2.1 Installation initiale

- 1.) Lire les messages de sécurité avant d'installer le compresseur d'air.

2.2 Emplacement

- 1.) Pour éviter d'endommager le compresseur d'air, ne pas l'incliner de plus de 10° dans la direction transversale ou longitudinale.
- 2.) Placer le compresseur d'air à une distance d'au moins 2 pi (61 cm) d'obstacles potentiels à une bonne ventilation. Ne pas placer le compresseur d'air dans un endroit où :
 - a. Il y a des indications de fuites d'huile ou de gaz.
 - b. Des vapeurs de gaz ou des matières inflammables peuvent être présentes.
 - c. La température de l'air passe en dessous de 32 °F (0 °C) ou dépasse 104 °F (40 °C).
 - d. De l'air extrêmement sale ou de l'eau peuvent être aspirés dans le compresseur d'air.

2.3 Branchement électrique

- 1.) **L'EMPLOI D'UN CORDON DE RALLONGE EST DÉCONSEILLÉ** parce que cela peut provoquer une surchauffe du moteur du compresseur. Il est préférable d'utiliser un tuyau d'air supplémentaire plutôt qu'un cordon de rallonge.
- 2.) Si l'emploi d'un cordon de rallonge ne peut pas être évité, veiller à bien en utiliser un de calibre suffisant pour transporter le courant consommé par le compresseur. Les calibres de cordon minimaux sont les suivants :

Plage d'intensité nominale (A)	Tension	Longueur du cordon					
	120 V	25 pi (7,5 m)	50 pi (15 m)	100 pi (30 m)	150 pi (46 m)	200 pi (61 m)	250 pi (76 m)
	240V	15 m (50 pi)	100 pi (30 m)	200 pi (61 m)	300 pi (91 m)	400 pi (122 m)	500 pi (152 m)
8 à 10		18	14	12	10	8	8
10 à 12		16	14	10	8	8	6
12 à 14		16	12	10	8	6	6
14 à 16		16	12	10	8	6	6
16 à 18		14	12	8	8	6	4
18 à 20		14	12	8	6	6	4

- 3.) Utiliser uniquement un cordon de rallonge à 3 conducteurs comportant une fiche à 3 broches avec mise à la terre et une prise à 3 trous qui accepte la fiche du compresseur.
- 4.) Examiner les cordons avant utilisation. Ne pas utiliser le compresseur si son cordon d'alimentation est endommagé. Ne pas utiliser un cordon de rallonge endommagé.
- 5.) Tenir les cordons à l'écart de la chaleur et des arêtes coupantes. Ne pas tirer sur un cordon pour débrancher une fiche; saisir la fiche.
- 6.) Toujours mettre l'interrupteur d'alimentation à l'arrêt avant de débrancher le compresseur.

3. MODE D'EMPLOI

3.1 Essai de fonctionnement

Avant d'utiliser le compresseur d'air pour la première fois, effectuer un essai de fonctionnement de la façon suivante :

- 1.) Mettre l'interrupteur d'alimentation en position OFF (Arrêt).
Brancher le cordon d'alimentation dans une prise électrique. Mettre l'interrupteur d'alimentation en position ON (Marche) pour démarrer le compresseur d'air. La mesure du manomètre s'élève lentement à mesure que la pression augmente à l'intérieur du réservoir. Lorsque le manomètre atteint 120 à 125 psi, le manocapteur coupe automatiquement l'alimentation électrique. Cela indique que le compresseur fonctionne normalement.
- 2.) Mettre l'interrupteur d'alimentation en position OFF (Arrêt), débrancher le cordon d'alimentation et libérer l'air du réservoir en tirant sur la soupape de sûreté. À ce point, passer à l'étape suivante.

Remarque : Si le compresseur d'air ne fonctionne pas correctement, le manomètre indique une baisse de pression dans le réservoir d'air comprimé. En cas de fuite d'air du compresseur, la pression dans le réservoir d'air diminue, le manocapteur se déclenche et le moteur se remet automatiquement en marche.

Si une fuite d'air est détectée, mettre l'interrupteur d'alimentation en position OFF (Arrêt) et libérer l'air du réservoir en tirant sur la soupape de sûreté. Débrancher le cordon d'alimentation électrique et obtenir l'assistance du service de soutien à la clientèle.

3.2 Fonctionnement quotidien

Démarrer le compresseur :

- 1.) Mettre l'interrupteur d'alimentation en position OFF (Arrêt).
- 2.) Raccorder le tuyau d'air au connecteur rapide universel/industriel de 1/4 po.
- 3.) Vérifier que tous les raccords d'air sont bien serrés et fermer le robinet de purge manuel.
- 4.) Maintenir 2 pi (60 cm) d'espace libre autour du compresseur d'air.
- 5.) Brancher le cordon d'alimentation dans une prise de 110 V et 20 A à disjoncteur.
- 6.) Mettre l'interrupteur d'alimentation en position ON (Arrêt).
- 7.) Laisser le moteur tourner et le réservoir se remplir jusqu'à ce que le moteur s'arrête.
- 8.) Pour réguler le débit d'air : Alors que le compresseur d'air est en marche, mettre l'outil pneumatique en marche et tourner le bouton du régulateur vers la droite pour augmenter la pression. Continuer de l'augmenter jusqu'à atteindre la pression souhaitée.
- 9.) Utiliser l'outil pneumatique normalement. Ne pas utiliser en continu (en marche) pendant plus de 8 à 12 heures.

Mettre le compresseur à l'arrêt :

- 1.) Mettre l'interrupteur d'alimentation en position OFF (Arrêt).
- 2.) Débrancher le cordon d'alimentation de l'alimentation électrique et enrouler le cordon sur la poignée du compresseur d'air pour réduire le risque de dommages.
- 3.) Purger la pression et l'humidité du réservoir d'air en ouvrant manuellement la soupape de purge.
- 4.) Nettoyer le compresseur d'air pour éliminer toute la saleté et la poussière.

Avant un entreposage de longue durée :

- 5.) Couvrir le compresseur d'air pour le protéger contre la poussière et l'humidité.
- 6.) Ne pas superposer ni entreposer d'autres articles sur le dessus ou autour du compresseur d'air. Cela peut l'endommager.

4. ENTRETIEN

4.1 Nettoyage

Nettoyer les avec une brosse souple ou essuyer au moyen d'un chiffon humecté avec un solvant biodégradable.

Ne pas utiliser de liquides inflammables tels que de l'essence ou de l'alcool. Pour assurer un fonctionnement optimal, toujours garder les pièces propres de toute saleté et poussière.

4.2 Nettoyer ou changer le filtre à air

Le filtre à air est conçu pour réduire le bruit et empêcher les particules en suspension dans l'air de pénétrer dans le compresseur d'air et de l'endommager.

Après une certaine durée d'utilisation, le filtre à air se colmate. Cela réduit la capacité d'admission d'air du compresseur d'air, ce qui limite son rendement. Par conséquent, le filtre à air doit régulièrement être nettoyé ou changé.

- 1.) Ouvrir le couvercle du filtre à air et retirer l'élément filtrant.
- 2.) Pour nettoyer l'élément, souffler ou épousseter la saleté et la poussière.
- 3.) S'il est colmaté, le remplacer par un filtre à air neuf.

4.3 Purger le réservoir d'air

La fréquence à laquelle le réservoir d'air comprimé doit être purgé dépend des conditions ambiantes et de la durée cumulée de fonctionnement. La fréquence moyenne de purge est de tous les 1 à 2 jours.

- 1.) Placer le compresseur d'air au-dessus d'un récipient capable de contenir de l'eau.
- 2.) Alors qu'il y a de l'air comprimé dans le réservoir, tourner lentement le bouton du robinet de purge vers la position avant (ouverte) ou verticale. L'eau présente dans le réservoir d'air s'écoule.

- 3.) Une fois que toute l'eau accumulée est purgée, tourner le bouton du robinet de purge jusqu'en position fermée ou de gauche pour éviter les fuites.
- 4.) La purge du réservoir d'air protège les pièces contre la rouille et la corrosion.

4.4 Manocontacteur

Le manocontacteur est réglé à l'usine pour couper l'alimentation entre 120 et 125 psi et redémarrer entre 90 et 95 psi.

4.5 Vérifier l'étanchéité

Vérifier que tous les raccords sont bien serrés. Ne pas trop serrer.

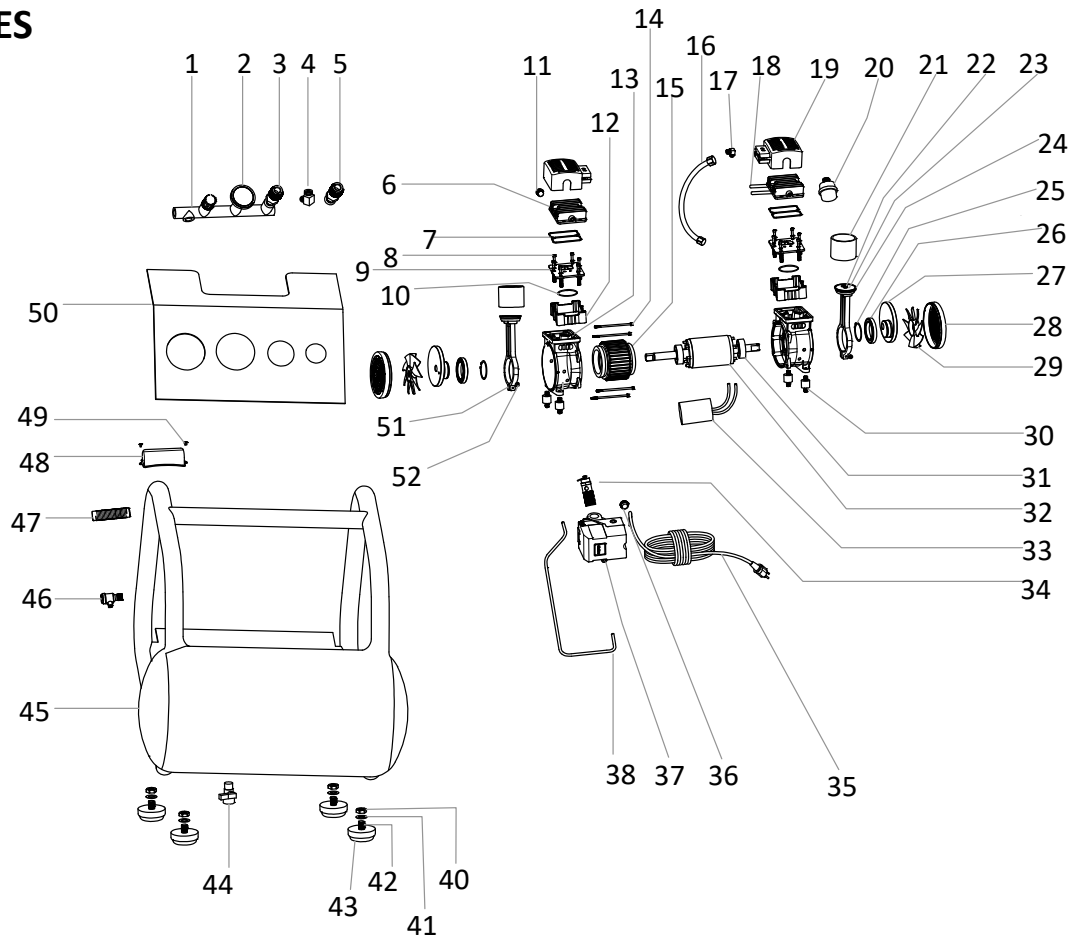
Une petite fuite dans tout raccord de tuyau flexible ou rigide réduit le rendement du compresseur d'air.

Pour détecter les petites fuites, vaporiser une petite quantité d'eau savonneuse sur la zone de fuite suspectée. S'il se produit des bulles de savon, changer la pièce cassée.

5. DÉPANNAGE

Problème	Cause possible	Réparation
Chute de pression du réservoir.	Fuites d'air au niveau des raccords.	Laisser le compresseur faire augmenter la pression dans le réservoir, jusqu'à la pression maximale si possible. Badigeonner de l'eau savonneuse sur les raccords d'air et observer avec attention s'il se produit des bulles d'air. Serrer les raccords qui fuient. Si le problème persiste, obtenir l'assistance du service de soutien à la clientèle.
La soupape de déchargement fuit lorsque le compresseur est inactif.	Le joint de la soupape de déchargement est défectueux.	Laisser l'air s'écouler du réservoir jusqu'à ce que toute la pression ait été libérée. Retirer ensuite le bouchon de la soupape de déchargement et nettoyer le joint de la soupape. S'il y a lieu, changer le joint, puis remonter toutes les pièces.
Le compresseur s'est arrêté et ne redémarre pas.	La protection thermique s'est activée parce que le moteur surchauffe.	Vérifier que la tension du réseau électrique correspond aux caractéristiques du compresseur d'air. Un cordon de rallonge trop long ou de calibre insuffisant peut provoquer une chute de tension et une surchauffe du moteur. Une utilisation excessive (plus de 1 heure en continu) peut provoquer une surchauffe du moteur. Laisser le moteur refroidir.
	Enroulements du moteur grillés.	S'adresser au service de soutien à la clientèle.
Le moteur ne démarre pas et produit un bruit de ronflement.	Le condensateur est grillé.	S'adresser au service de soutien à la clientèle.
Le moteur ne démarre pas ou démarre lentement.	La tension d'alimentation du moteur est insuffisante.	Vérifier que la tension du réseau électrique correspond aux caractéristiques du compresseur d'air. Un cordon de rallonge trop long ou de calibre insuffisant peut provoquer une chute de tension. Utiliser des cordons de rallonge pour forte charge. Vérifier que le compresseur d'air est branché dans une prise de courant qui fonctionne correctement.
Le compresseur produit des bruits métalliques.	Le joint de culasse ou la soupape flexible du compresseur est endommagé.	Arrêter le compresseur et s'adresser au service de soutien à la clientèle.
Le compresseur n'atteint pas la pression maximale.	Le joint de culasse ou la soupape flexible du compresseur est endommagé.	Arrêter le compresseur et s'adresser au service de soutien à la clientèle.
Le compresseur ne semble pas fournir autant d'air que lorsqu'il était neuf ou le compresseur s'arrête au bout d'un délai beaucoup plus court.	Le manoccontacteur doit être réglé.	Arrêter le compresseur et s'adresser au service de soutien à la clientèle.
	Le réservoir est plein d'eau en raison de la condensation.	Ouvrir le robinet de purge et laisser s'écouler l'eau du réservoir.
La motopompe ne s'arrête pas lorsque la pression du réservoir atteint sa pression maximale de service.	Le manoccontacteur est défectueux ou doit être réglé.	Arrêter le compresseur immédiatement et s'adresser au service de soutien à la clientèle.

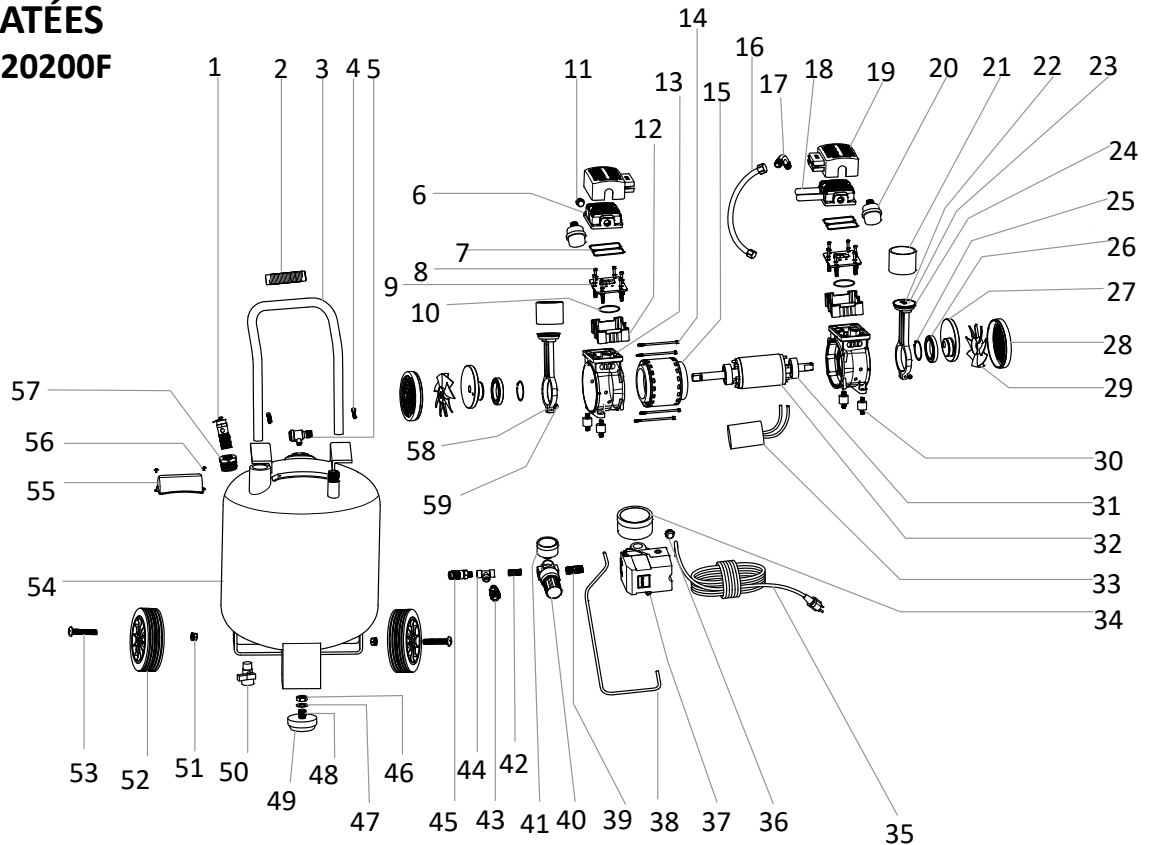
6. VUES ÉCLATÉES CF10050F



N°	RÉF./CODE TROUSSE	DESCRIPTION	QTÉ	N°	RÉF./CODE TROUSSE	DESCRIPTION	QTÉ	N°	RÉF./CODE TROUSSE	DESCRIPTION	QTÉ
1	RP000500	SUPPORT DE RÉGULATEUR	1	18	RP000506 ou A	CONNECTEUR DE CULASSES	2	36	F	SERRE-CÂBLE	1
2	RP000501	MANOMÈTRE DE RÉGULATEUR	1	19	RP000507 ou A	COUVERCLE DE CULASSE	2	37	RP000512	MANOCONTACTEUR	1
3	A77425	RACCORD RAPIDE	1	20	RP000508 ou A	FILTRE À AIR	2	38	RP000513	TUBE DE DÉCHARGE	1
4	RP000502	COUDE	1	21	A ou B	CYLINDRE	2	39	RP000514	TUBE DE REFOULEMENT D'AIR	1
5	A77425	RACCORD RAPIDE	1	22	A ou B	VIS	2	40	D	ÉCROU	4
6	RP000503 ou A	CULASSE	2	23	A	PATIN DE PRESSION	2	41	D	RESSORT	4
7	A ou B	JOINT EN CAOUTCHOUC	2	24	A ou B	COUPELLE DE PISTON TÉFLON	2	42	D	VIS	4
8	A ou B	VIS	8	25	A	CIRCLIP	2	43	D	PIED EN CAOUTCHOUC	4
9	A ou B	PLAQUE PORTE-SOUPAPE	2	26	A	ROULEMENT	2	44	RP000515	PURGE D'EAU	1
10	A ou B	JOINT EN CAOUTCHOUC	2	27	A	VILEBREQUIN	2	45	RP000516	RÉSERVOIR	1
11	A	BOUCHON	1	28	A ou C	VENTILATEUR	2	46	RP000517	CLAPET ANTIRETOUR	1
12	A	PORTE-CYLINDRE	2	29	A ou C	COUVERCLE DE VENTILATEUR	2	47	RP000518	PRISE EN CAOUTCHOUC	1
13	A	CARTER	2	30	RP000509	ISOLATEUR	4	48	E	COUVERCLE DE CONDENSATEUR	1
14	A	VIS	4	31	A	ROULEMENT	2	49	E	VIS	1
15	A	STATOR ET ENROULEMENT	1	32	A	ROTOR	1	50	RP000519	PANNEAU	1
16	RP000504	TUBE DE REFOULEMENT D'AIR	1	33	RP000510	CONDENSATEUR	1	51	A	BIELLE	2
17	RP000505	COUDE	1	34	RP000511	SOUPAPE DE SÛRETÉ	1	52	A	VIS	4
				35	F	CORDON D'ALIMENTATION	1				

CODE TROUSSE	RÉF.	DESCRIPTION
A	RP000540	Pompe et moteur de rechange de compresseur d'air portable Flexzilla™ pour CF10050F
B	RP000541	Trousse de réparation de pompe de compresseur d'air portable Flexzilla™ pour CF10050F
C	RP000542	Ventilateur et couvercle de rechange de compresseur d'air portable Flexzilla™ pour CF10050F
D	RP000545	Trousse de pieds de rechange de compresseur d'air portable Flexzilla™ pour CF10050F
E	RP000543	Couvercle de condensateur de rechange de compresseur d'air portable Flexzilla™ pour CF10050F
F	RP000544	Cordon d'alimentation de rechange de compresseur d'air portable Flexzilla™ pour CF10050F

6. VUES ÉCLATÉES CB20100F/CB20200F



N°	RÉF./CODE TROUSSE	DESCRIPTION	QTÉ	N°	RÉF./CODE TROUSSE	DESCRIPTION	QTÉ	N°	RÉF./CODE TROUSSE	DESCRIPTION	QTÉ
1	RP000600	SOUPAPE DE SÛRETÉ	1	21	A ou B	CYLINDRE	2	41	RP000618	MANOMÈTRE DE RÉGULATEUR	1
2	RP000601	PRISE EN CAOUTCHOUC	1	22	A ou B	VIS	2	42	RP000619	CONNECTEUR	1
3	RP000602	POIGNÉE	1	23	A	PATIN DE PRESSION	2	43	A77425	RACCORD RAPIDE	1
4	RP000603	VIS	2	24	A ou B	COUPELLE DE PISTON TÉFLON	2	44	RP000620	COUDE TROIS VOIES	1
5	RP000604	CLAPET ANTIRETOUR	1	25	A	CIRCLIP	2	45	A77425	RACCORD RAPIDE	1
6	RP000605 ou A	CULASSE	2	26	A	ROULEMENT	2	46	D	ÉCROU	2
7	A ou B	JOINT EN CAOUTCHOUC	2	27	A	VILEBREQUIN	2	47	D	RESSORT	2
8	A ou B	VIS	8	28	A ou C	VENTILATEUR	2	48	D	VIS	2
9	A ou B	PLAQUE PORTE-SOUPAPE	2	29	A ou C	COUVERCLE DE VENTILATEUR	2	49	D	PIED EN CAOUTCHOUC	2
10	A ou B	JOINT EN CAOUTCHOUC	2	30	RP000611	ISOLATEUR	4	50	RP000621	SOUPAPE DE PURGE	1
11	A	BOUCHON	1	31	A	ROULEMENT	2	51	E	ÉCROU	2
12	A	PORTE-CYLINDRE	2	32	A	ROTOR	1	52	E	ROUE	2
13	A	CARTER	2	33	RP000612	CONDENSATEUR	1	53	E	VIS	2
14	A	VIS	4	34	RP000613	MANOMÈTRE DE RÉSERVOIR	1	54	RP000625	RÉSERVOIR 10 GAL (CB20100F)	1
15	A	STATOR ET ENROULEMENT	1	35	G	CORDON D'ALIMENTATION	1	54	RP000626	RÉSERVOIR 20 GAL (CB20200F)	1
16	RP000606	TUBE DE REFOULEMENT D'AIR	1	36	G	SERRE-CÂBLE	1	55	F	COUVERCLE DE CONDENSATEUR	1
17	RP000607	COUDE	1	37	RP000614	MANOCONTACTEUR	1	56	F	VIS	1
18	RP000608 ou A	CONNECTEUR DE CULASSES	2	38	RP000615	TUBE DE DÉCHARGE	1	57	RP000622	ADAPTEUR DE FILETAGE	1
19	RP000609 ou A	COUVERCLE DE CULASSE	2	39	RP000616	CONNECTEUR	1	58	A	BIELLE	2
20	RP000610 ou A	FILTRE À AIR	2	40	RP000617	RÉGULATEUR	1	59	A	VIS	4

CODE TROUSSE	RÉF.	DESCRIPTION
A	RP000640	Pompe et moteur de rechange de compresseur d'air portable Flexzilla™ pour CB20100F et CB20200F
B	RP000641	Trousse de réparation de pompe de compresseur d'air portable Flexzilla™ pour CB20100F et CB20200F
C	RP000642	Ventilateur et couvercle de rechange de compresseur d'air portable Flexzilla™ pour CB20100F et CB20200F
D	RP000645	Trousse de pieds de rechange de compresseur d'air portable Flexzilla™ pour CB20100F et CB20200F
E	RP000646	Trousse de roues de rechange de compresseur d'air portable Flexzilla™ pour CB20100F et CB20200F
F	RP000643	Couvercle de condensateur de rechange de compresseur d'air portable Flexzilla™ pour CB20100F et CB20200F
G	RP000644	Cordon d'alimentation de rechange de compresseur d'air portable Flexzilla™ pour CB20100F et CB20200F

7. LISTE DE VÉRIFICATIONS AVANT UTILISATION

Installation initiale :

Contenu de l'emballage :

- 1.) Compresseur d'air
- 2.) Manuel de l'utilisateur
- 3.) Trousse de filtres à air (2)
 - Filtre préassemblé comprenant logement mâle, logement femelle, élément filtrant et tube d'admission
- 4.) Trousse de pieds antivibrations (4)
 - Comprend tampons en élastomère, vis et écrous
- 5.) Trousse de roues (2)
 - Comprend roues, vis, rondelles plates, rondelles-freins et écrous
- 6.) Trousse de protection des surfaces chaudes (2)
 - Comprend couvercle de culasse en plastique, pince de couvercle de culasse, 2 vis

Assemblage :

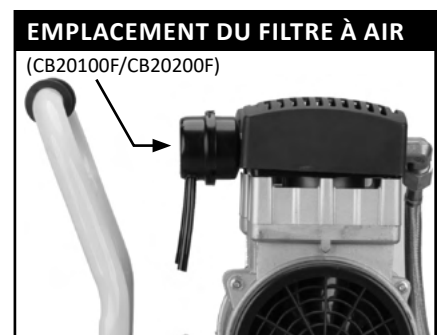
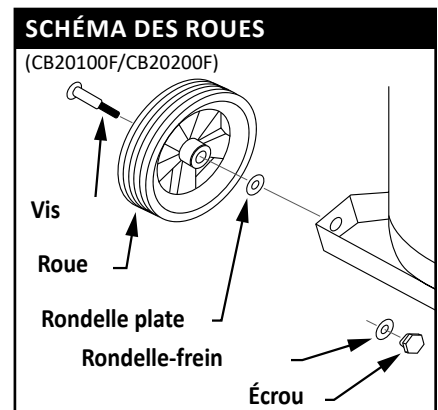
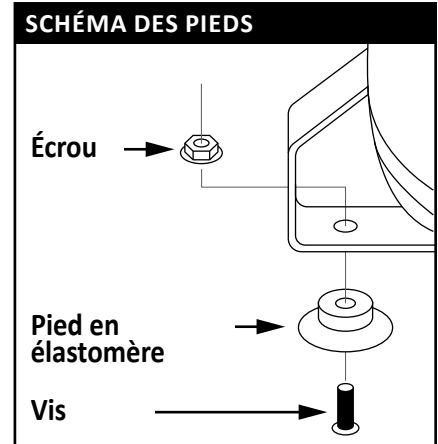
- 1.) **Monter la trousse de pieds** (2 emplacements)
 - Coucher le compresseur sur le côté poignée pour l'empêcher de rouler
 - Enfiler la vis à travers le pied en élastomère et dans le trou du châssis
 - Visser l'écrou sur la vis, serrer légèrement
 - Répéter à l'autre emplacement
 - Laisser le compresseur dans cette position pour l'étape 2
- 2.) **Monter la trousse de roues** (2 emplacements) (modèles CB20100F/CB20200F seulement)
 - Soulever légèrement le compresseur pour décoller la roue du sol
 - Enfiler la vis à travers la roue et dans le trou du support
 - Poser la rondelle plate sur la vis
 - Poser la rondelle-frein sur la vis
 - Visser l'écrou sur la vis et le serrer à l'aide d'une clé
 - Répéter à l'autre emplacement
 - Remettre le compresseur verticalement en le tenant par la poignée
- 3.) **Monter le filtre à air**

CF10050F (1 emplacement)

 - En étant face à l'avant du compresseur, trouver l'orifice fileté dans la culasse sur le côté gauche
 - Visser le filtre dans l'orifice et serrer fermement à la main

CB20100F/CB20200F (2 emplacements)

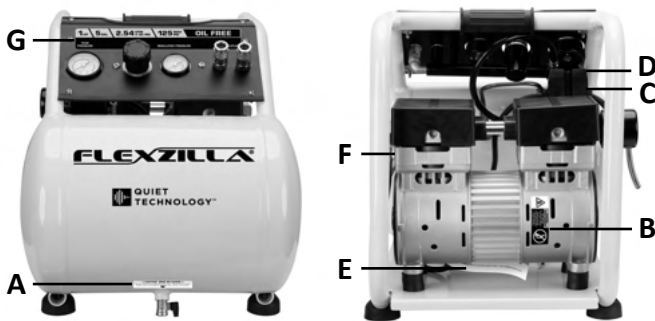
 - En étant face à l'arrière du compresseur, trouver les orifices filetés près du haut de la culasse derrière la poignée
 - Visser le filtre dans l'orifice et serrer fermement à la main
- 4.) **Poser la trousse de protection des surfaces chaudes** (2 emplacements)
 - En étant face à l'arrière du compresseur, placer le couvercle de culasse en plastique sur la culasse
 - *Remarque : Les trous de vis se trouvent près du centre de la pompe du compresseur*
 - Placer la pince sur le couvercle de culasse en plastique
 - Poser les 2 vis et serrer fermement avec un tournevis PH2



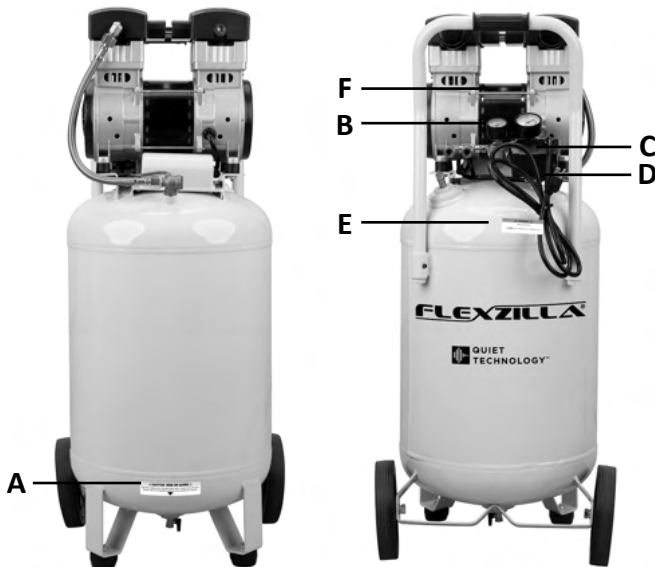
8. EMBLACEMENT DES ÉTIQUETTES DU PRODUIT

Lire ces étiquettes importantes avant utilisation. Ces étiquettes fournissent une information importante sur la sécurité et l'entretien. Ces étiquettes doivent être considérées comme des pièces permanentes du compresseur d'air. Si l'une de ces étiquettes est devenue illisible, endommagée ou a disparu, obtenir des étiquettes de rechange auprès du service après-vente de Legacy Manufacturing Company par téléphone au 800-645-8258 poste 121 ou par courriel à service@legacymfg.com, L-V 8h00-17h00 HNC.

CF10050F :



CB20100F / CB20200F :



ÉTIQUETTE DE PRODUIT	
A	<p>⚠ CAUTION MISE EN GARDE ⚠</p> <p>Drain the moisture from the tank every week. Prevent tank corrosion. Drainer l'eau et l'humidité du réservoir pour prévenir la corrosion.</p>
B	<p>⚠ WARNING AVERTISSEMENT</p> <p>HOT SURFACE Do not touch. Allow to cool before servicing.</p> <p>SURFACE CHAUDE Ne pas toucher. Laisser refroidir avant de procéder à l'entretien.</p>
C	<p>POWER SWITCH INTERRUPTEUR D'ALIMENTATION</p> <p>Auto/On Auto/En Marche</p> <p>Off Hors tension</p>
D	<p>⚠ WARNING AVERTISSEMENT</p> <p>RISK OF BURSTING Do not adjust factory settings RISK OF ELECTRIC SHOCK Do not remove cover</p> <p>RISQUE D'ÉCLATEMENT Ne pas changer les réglages d'usine RISQUE DE CHOC ÉLECTRIQUE Ne retirez pas le couvercle</p>
E	<p>⚠ AVERTISSEMENT ⚠ ⚠ WARNING ⚠</p> <p>Preparation de Californie 65 California Proposition 65</p> <p><small>⚠ AVERTISSEMENT: Cancer et Troubles de l'appareil reproducteur - www.P60Warnings.ca.gov</small> <small>⚠ WARNING: Cancer and Reproductive Harm - www.P60Warnings.ca.gov</small></p>
F	<p>FLEXZILLA®</p> <p>Air Compressor Model / Modèle : ##### Compresseur à air</p> <p>Voltage & Current / Tension et courant 115V ~ 60 Hz ##A</p> <p>Power / Puissance # HP / # CV # Intertek 0000000</p> <p>Tank / Réservoir 10 gal. (37.8 L)</p> <p>No-load speed / Vitesse sans charge 1750 rpm / tr/min</p> <p>Max air pressure / Pression d'air max 125 psi / lb/po²</p> <p>Serial No. / No. de série _____</p> <p>Made in China / Fabriqué en Chine</p> <p>⚠ WARNING AVERTISSEMENT</p> <p>To reduce the risk of injury, user must read and understand instruction manual. Afin de réduire le risque de blessures, l'utilisateur doit lire et bien comprendre le mode d'emploi.</p>
G	<p>1 HP 5 GAL 2.54 CFM @ 90 PSI 125 MAX PSI OIL FREE</p> <p>TANK PRESSURE REGULATOR REGULATED PRESSURE QUICK COUPLER</p>

9. Déclaration de garantie

DÉCLARATION DE GARANTIE LIMITÉE

WEEMS INDUSTRIES, INC., s/n LEGACY MANUFACTURING COMPANY (« LEGACY ») garantit que, dans des conditions normales d'utilisation, ses produits seront exempts de vices de matériaux et de fabrication pendant la période indiquée ci-dessous :

Compresseurs d'air portables Flexzilla® 2 ans à compter de la date d'achat

En vertu de la présente garantie, la seule obligation de LEGACY se limite à remplacer ou à réparer gratuitement tout matériel qu'un centre de réparation agréé aura jugé présenter des défauts de matériau ou de fabrication dans des conditions normales d'utilisation durant la période de garantie correspondante. Pour tout échange ou réparation, le produit doit être expédié à un centre de réparation et de garantie LEGACY agréé durant la période de garantie en port payé par le client, accompagné d'un justificatif de la date d'achat et d'une explication du défaut présumé. En cas de réparation ou d'échange, la période de garantie n'est pas prolongée au-delà de la période de garantie d'origine.

La présente garantie s'applique exclusivement à l'acheteur d'origine et n'est pas cessible. La présente garantie ne s'applique pas aux articles sujets à une usure normale tels que garnitures, joints, embouts et filtres; au matériel endommagé à la suite d'un accident, d'une surcharge, d'un emploi abusif, d'une utilisation incorrecte, de négligence, d'un assemblage ou une installation incorrects ou de l'effet de matières abrasives ou corrosives; au matériel réparé ou modifié par quiconque non agréé par la société LEGACY pour la réparation et la modification du matériel; ni aux catastrophes naturelles. Aucune indemnisation ne sera accordée pour les réparations ou modifications effectuées par un acheteur sans autorisation écrite préalable de la LEGACY.

LEGACY N'ASSUMERA AUCUNE AUTRE DÉPENSE, NOTAMMENT, MAIS SANS LIMITATION, AUCUN COÛT DE PIÈCES OU DE MAIN-D'ŒUVRE QUE CE SOIT (AUTRE QUE CEUX INDIQUÉS DANS LES PRÉSENTES) ET VOTRE SEUL RECOURS, AU LIEU ET PLACE DE TOUS DOMMAGES-INTÉRÊTS INDIRECTS, CONSÉCUTIFS, SPÉCIAUX OU AUTRES, Y COMPRIS MAIS SANS LIMITATION DE DOMMAGES-INTÉRÊTS POUR NÉGLIGENCE, SE LIMITE À LA RÉPARATION OU AU REMPLACEMENT DÉCRITS CI-DESSUS. LES GARANTIES CI-DESSUS SONT FOURNIES AU LIEU ET PLACE DE TOUTE AUTRE DÉCLARATION OU GARANTIE, EXPLICITE OU IMPLICITE, DE QUELLE QUE NATURE QU'ELLE SOIT, CONCERNANT TOUT MATÉRIEL, Y COMPRIS, MAIS SANS LIMITATION, LES GARANTIES IMPLICITES DE QUALITÉ MARCHANDE ET D'ADAPTATION À UN OBJECTIF OU USAGE PARTICULIER. EN AUCUN CAS LEGACY NE POURRA ÊTRE TENUE RESPONSABLE DE DÉCÈS, DE DOMMAGES CORPORELS OU MATÉRIELS OU DE DOMMAGES-INTÉRÊTS INDIRECTS, SPÉCIAUX OU CONSÉCUTIFS QUELS QU'ILS SOIENT LIÉS À L'UTILISATION DE NOS PRODUITS, QUE CE SOIT POUR RUPTURE DE GARANTIE, RUPTURE DE CONTRAT, NÉGLIGENCE, RESPONSABILITÉ STRICTE OU TOUTE AUTRE THÉORIE JURIDIQUE.

Sauf en cas de modification par écrit et signée par les deux parties, la présente garantie limitée constitue l'accord complet et exclusif entre les parties et remplace tout autre accord verbal ou écrit précédent et toute autre communication entre les parties relative au domaine couvert par la présente garantie. Tout recours pour rupture de garantie doit être intenté dans les 12 (douze) mois suivant la fin de la période de garantie.

Bien que toute entreprise puisse effectuer l'entretien ou les réparations nécessaires du matériel Legacy, nous conseillons de vous adresser uniquement aux concessionnaires agréés par Legacy. Un entretien ou des réparations inappropriés ou mal exécutés invalident la présente garantie.

**Communiquer avec Legacy Manufacturing Co. : 1-800-645-8258 poste 121
Envoyer un courriel à service@legacymfg.com ou visiter www.flexzilla.com**